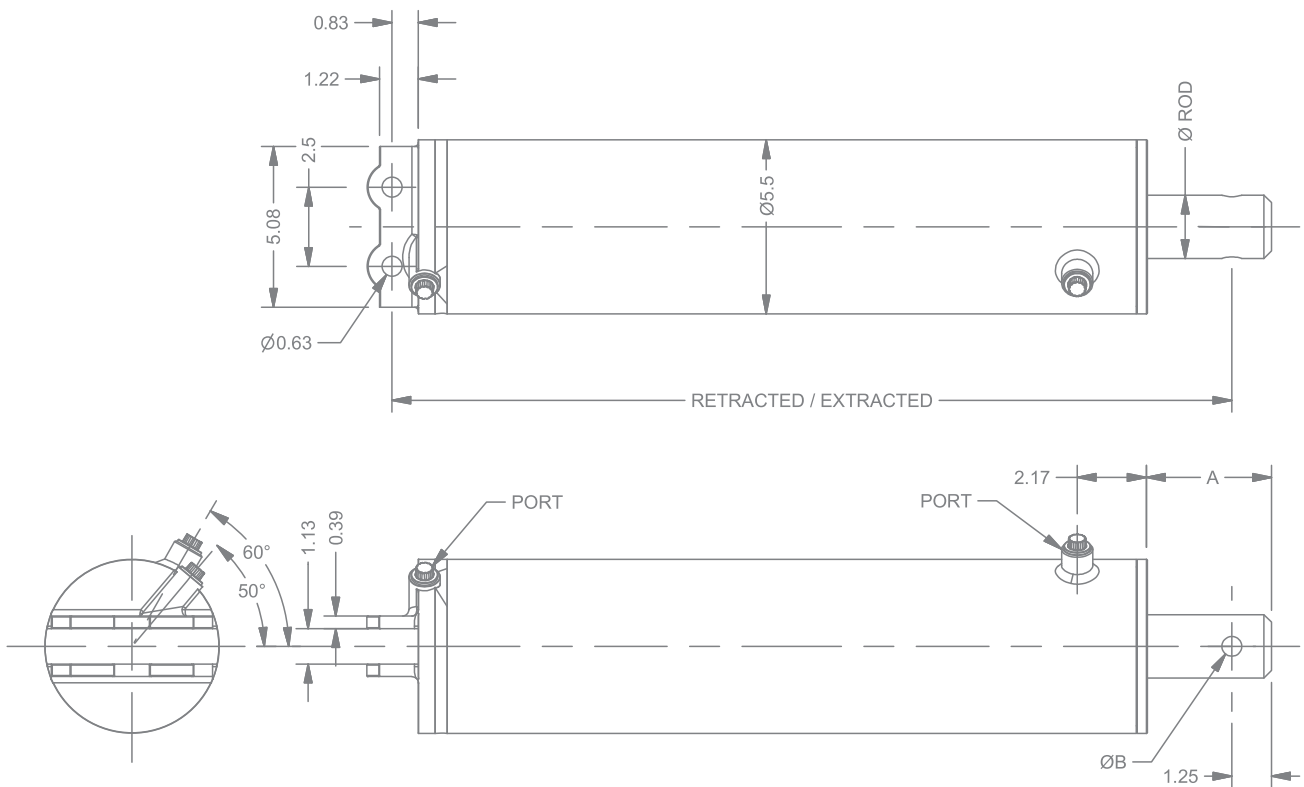


WELDED HYDRAULIC CYLINDERS WHT 3000PSI



WELDED HYDRAULIC CYLINDERS WHT 3000PSI



WELDED THROUGH HOLE CYLINDER

PART NUMBER	BORE	A	B	STROKE	ROD DIAMETER	RETRACTED	EXTRACTED	MAX FORCE LBS	PORT	WEIGHT [Lbs]
607501575	5.00	3.5	$\varnothing 0.69$	15.75"	$\varnothing 2$ "	23.5"	39.25"	58905	SAE#6	66.1
607502000	5.00	3.15	$\varnothing 0.63$	20"	$\varnothing 2$ "	27.5"	47.5"	58905	SAE#6	81.4
607502150	5.00	3.5	$\varnothing 0.63$	21.50"	$\varnothing 2$ "	29.375"	50.875"	58905	SAE#6	86.8