



# VALUE ENGINEERED **HYDRAULIC SOLUTIONS**

REASONABLE STRUCTURE | RELIABLE PERFORMANCE | EASY DISASSEMBLY AND ASSEMBLY











# CATALOGUE

---

## CORPORATION

Company Introduction	-----	<b>02</b>
Work Environment	-----	<b>03</b>

## TIE ROD AGRICULTURE CYLINDERS

TIE ROD AGRICULTURE CYLINDERS	<b>TR 2500PSI</b>	-----	<b>05</b>
TIE ROD AGRICULTURE CYLINDERS	<b>TR 3000PSI</b>	-----	<b>10</b>

## WELDED HYDRAULIC CYLINDERS

WELDED HYDRAULIC CYLINDERS	<b>ACL</b>	<b>3000PSI</b>	-----	<b>15</b>
WELDED HYDRAULIC CYLINDERS	<b>WBU</b>	<b>3000PSI</b>	-----	<b>20</b>
WELDED HYDRAULIC CYLINDERS	<b>WCL</b>	<b>3000PSI</b>	-----	<b>25</b>
WELDED HYDRAULIC CYLINDERS	<b>WTH</b>	<b>3000PSI</b>	-----	<b>30</b>
WELDED HYDRAULIC CYLINDERS	<b>WTO/WT1</b>	<b>3000PSI</b>	-----	<b>35</b>
WELDED HYDRAULIC CYLINDERS	<b>WHT</b>	<b>3000PSI</b>	-----	<b>37</b>

## CYLINDER COMPONENTS ----- **40**

Base Plates	Weld-On Ports
Glands	Spring
Piston	Valve Blocks And Cartridges
Rod	Grease Fitting
Tube	Pins
Clevis	Seals
Port Plugs	





# BRIEF INTRODUCTION CORPORATION

IronClad Hydraulics is a dynamic high-tech enterprise specializing in the research, development, and manufacturing of advanced hydraulic cylinders and systems. Originally rooted in a legacy of excellence, our company was established through strategic restructuring and investment, with a vision to become a leader in the hydraulic industry.

Situated in the picturesque and innovative Qingshanhu Science & Technology City, our state-of-the-art manufacturing facility spans over 68,000 square meters, including a modern intelligent production base of 51,300 square meters. Our products are integral to various industries, including industrial vehicles, construction machinery, boom lifts, environmental machinery, wind power generation, agricultural machinery, and more, making us one of the premier hydraulic cylinder manufacturers in the region.

In 2024, IronClad Hydraulics expanded its global footprint by opening a new location in Toronto, Canada. This strategic move allows us to better serve our North American customers and reinforces our commitment to delivering high-quality hydraulic solutions on a global scale. Our Toronto facility is equipped with the latest technology and staffed by a team of skilled professionals dedicated to upholding the IronClad standard of excellence in innovation and manufacturing.

At IronClad Hydraulics, we pride ourselves on our robust research capabilities, supported by a provincial enterprise research institute, a high-tech R&D center, and a hydraulic product testing facility. With core independent intellectual property rights, our manufacturing processes are on par with the most advanced standards domestically. Our commitment to excellence has earned us numerous accolades, including recognition as a State-level Professional, Unique and Superior "Little Giant" Enterprise, and provincial honors such as the "Potential Champion" and "Future-Factory" designations. Additionally, we have been awarded the national "Second-class Safety Production Standard Enterprise" certification, and our leading products have been recognized as "The First Set of Product of Zhejiang Province" and "Competitive Manufactured Products of Zhejiang" consecutively.

IronClad Hydraulics continues to push the boundaries of innovation, ensuring that our products meet the highest standards of quality and reliability in the global market.





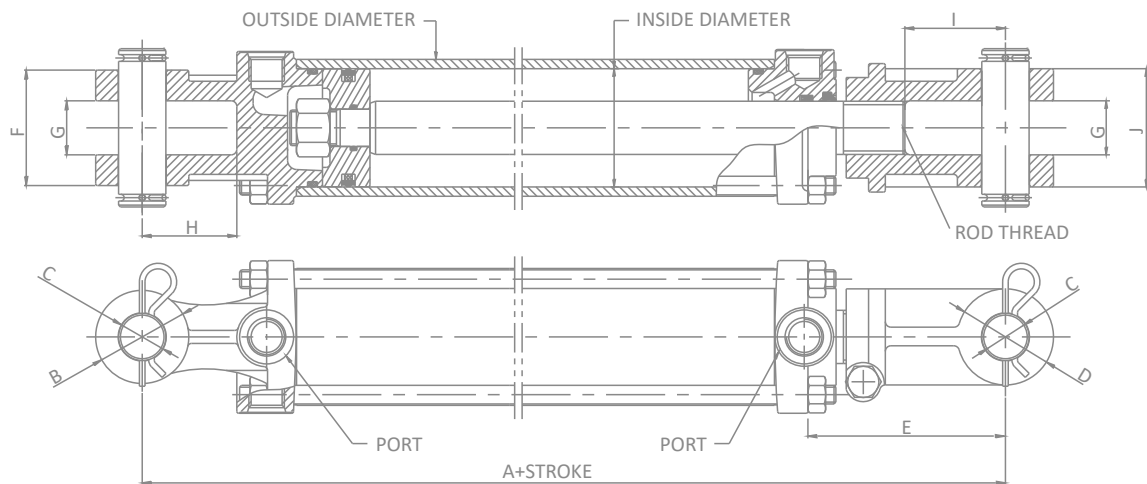


Hydraulic Cylinders

# TIE ROD AGRICULTURE CYLINDERS TR 2500PSI



# TIE ROD AGRICULTURE CYLINDERS TR 2500PSI



PART NUMBER	INSIDER DIAMETER	OUTSIDER DIAMETER	*A	B	*C	*D	*E	F	G	H	I	*J	ROD THREAD	PORT
6012520-	2.00"	2.37"	10.25"	2.00"	1.01"	2.00"	3.75"	2.25"	1.12"	2.06"	2.12"	2.62"	1.125-12 UNF	3/8-NPT
6012525-	2.50"	2.87"	10.25"	2.00"	1.01"	2.25"	3.75"	2.25"	1.12"	2.06"	2.12"	2.62"	1.125-12 UNF	3/8-NPT
6012530-	3.00"	3.37"	10.25"	2.00"	1.01"	2.25"	3.75"	2.25"	1.12"	2.06"	2.12"	2.62"	1.250-12 UNF	1/2-NPT
6012535-	3.50"	3.87"	10.25"	2.00"	1.01"	2.25"	3.62"	2.50"	1.12"	2.06"	2.12"	2.62"	1.250-12 UNF	1/2-NPT
6012540-	4.00"	4.37"	10.25"	2.25"	1.01"	2.25"	3.56"	2.62"	1.12"	2.06"	2.12"	2.62"	1.250-12 UNF	1/2-NPT
6012550-	5.00"	5.37"	12.25"	2.87"	1.26"	2.75"	4.18"	3.50"	1.12"	2.25"	2.12"	3.31"	1.500-12 UNF	1/2-NPT

\*FOR 8.00" ASAE STROKE: \*A=12.25" AND FOR 16.00" ASAE STROKE: \*A=15.50"

\*FOR 8.00" STROKE: \*E=5.75" ( 2.00" TO 3.00" BORE ) \*E=5.62" ( 3.50" BORE ) \*E=5.56" ( 4.00" BORE )

\*FOR 16.00" ASAE STROKE: \*E=9.00" ( 2.00" TO 3.00" BORE ) \*E=8.87" ( 3.50" BORE ) \*E=8.81" ( 4.00" BORE )

\*FOR 601252518 TO 601252536: ROD THREAD=1.125-12 UNF

\*FOR 601254016-S TO 601254036: \*D=2.50" \*J=2.75" \*ROD THREAD=1.500-12 UNF

\*FOR 16.00" ASAE STROKE: \*C=1.26"

SEAL TEMPERATURE RANGE: -30°C/+100°C (-22°F/+212°F)

SEAL MAXIMUM SPEED: 3 FT/SEC

MAXIMUM RETRACTED WORKING PRESSURE=2500 PSI

DIMENSIONS \*A AND \*E ARE FOR REFERENCES ONLY AS CLEVIS IS ADJUSTABLE

**TIE-ROD CYLINDER**

PART NUMBER	ROD DIAMETER	BORE & STROKE	DIMENSIONS		PORT SIZE	PIN SIZE	WEIGHT ( LBS )
			RETRACTED	EXTENDED			
601252004	1-1/8"	2" X 4"	14-1/4"	18-1/4"	3/8 NPT	1"	16.8
601252006		2" X 6"	16-1/4"	22-1/4"			18.4
601252008		2" X 8"	18-1/4"	26-1/4"			20.0
601252008-S		2" X 8"	20-1/4"	28-1/4"			20.5
601252010		2" X 10"	20-1/4"	30-1/4"			21.5
601252012		2" X 12"	22-1/4"	34-1/4"			23.1
601252014		2" X 14"	24-1/4"	38-1/4"			24.7
601252016		2" X 16"	26-1/4"	42-1/4"			26.3
601252018		2" X 18"	28-1/4"	46-1/4"			27.9
601252020		2" X 20"	30-1/4"	50-1/4"			29.5
601252024		2" X 24"	34-1/4"	58-1/4"			32.6
601252030		2" X 30"	40-1/4"	70-1/4"			37.4
601252036		2" X 36"	46-1/4"	82-1/4"			42.2
601252040		2" X 40"	50-1/4"	90-1/4"			45.3
601252048		2" X 48"	58-1/4"	106-1/4"			51.7
601252504		1-1/8"	2.5" X 4"	14-1/4"			18-1/4"
601252506	2.5" X 6"		16-1/4"	22-1/4"	18.8		
601252508	2.5" X 8"		18-1/4"	26-1/4"	20.7		
601252508-S	2.5" X 8"		20-1/4"	28-1/4"	21.2		
601252510	2.5" X 10"		20-1/4"	30-1/4"	22.6		
601252512	2.5" X 12"		22-1/4"	34-1/4"	24.5		
601252514	2.5" X 14"		24-1/4"	38-1/4"	26.4		
601252516	2.5" X 16"		26-1/4"	42-1/4"	28.2		
601252518	2.5" X 18"		28-1/4"	46-1/4"	30.1		
601252520	2.5" X 20"		30-1/4"	50-1/4"	32.0		
601252524	2.5" X 24"		34-1/4"	58-1/4"	35.8		
601252530	1-1/4"		2.5" X 30"	40-1/4"	70-1/4"	43.6	
601252536		2.5" X 36"	46-1/4"	82-1/4"	49.6		
601252540		2.5" X 40"	50-1/4"	90-1/4"	53.7		
601252548		2.5" X 48"	58-1/4"	106-1/4"	61.7		

## TIE-ROD CYLINDER

PART NUMBER	ROD DIAMETER	BORE & STROKE	DIMENSIONS		PORT SIZE	PIN SIZE	WEIGHT ( LBS )		
			RETRACTED	EXTENDED					
601253004	1-1/4"	3" X 4"	14-1/4"	18-1/4"	1/2 NPT	1"	22.1		
601253006		3" X 6"	16-1/4"	55-1/4"			24.0		
601253008		3" X 8"	18-1/4"	26-1/4"			26.1		
601253008-S		3" X 8"	20-1/4"	28-1/4"			8.4		
601253010		3" X 10"	20-1/4"	30-1/4"			28.2		
601253012		3" X 12"	22-1/4"	34-1/4"			30.3		
601253014		3" X 14"	24-1/4"	38-1/4"			32.4		
601253016		3" X 16"	26-1/4"	42-1/4"			34.5		
601253016-S		3" X 16"	31-1/4"	47-1/4"			38.0		
601253018	1-1/2"	3" X 18"	28-1/4"	46-1/4"		1"	41.3		
601253020		3" X 20"	30-1/4"	50-1/4"			43.8		
601253024		3" X 24"	34-1/4"	58-1/4"			48.8		
601253030		3" X 30"	40-1/4"	70-1/4"			56.4		
601253036		3" X 36"	46-1/4"	82-1/4"			64.0		
601253040		3" X 40"	50-1/4"	90-1/4"			69.1		
601253048		3" X 48"	58-1/4"	106-1/4"			79.2		
601253504		1-1/4"	3.5" X 4"	14-1/4"			18-1/4"	1/2 NPT	1"
601253506			3.5" X 6"	16-1/4"	55-1/4"		27.8		
601253508	3.5" X 8"		18-1/4"	26-1/4"	30.7				
601253508-S	3.5" X 8"		20-1/4"	28-1/4"	31.7				
601253510	3.5" X 10"		20-1/4"	30-1/4"	33.6				
601253512	3.5" X 12"		22-1/4"	34-1/4"	36.5				
601253514	3.5" X 14"		24-1/4"	38-1/4"	39.5				
601253516	3.5" X 16"		26-1/4"	42-1/4"	42.4				
601253516-S	1-1/2"		3.5" X 16"	31-1/4"	47-1/4"	50.0			
601253518	1-1/4"	3.5" X 18"	28-1/4"	46-1/4"	1"	45.3			
601253520		3.5" X 20"	30-1/4"	50-1/4"		48.2			
601253524	1-1/2"	3.5" X 24"	34-1/4"	58-1/4"		58.2			
601253530		3.5" X 30"	40-1/4"	70-1/4"		66.6			
601253536		3.5" X 36"	46-1/4"	82-1/4"		75.0			
601253540		3.5" X 40"	50-1/4"	90-1/4"		80.7			
601253548		3.5" X 48"	58-1/4"	106-1/4"		91.9			

**TIE-ROD CYLINDER**

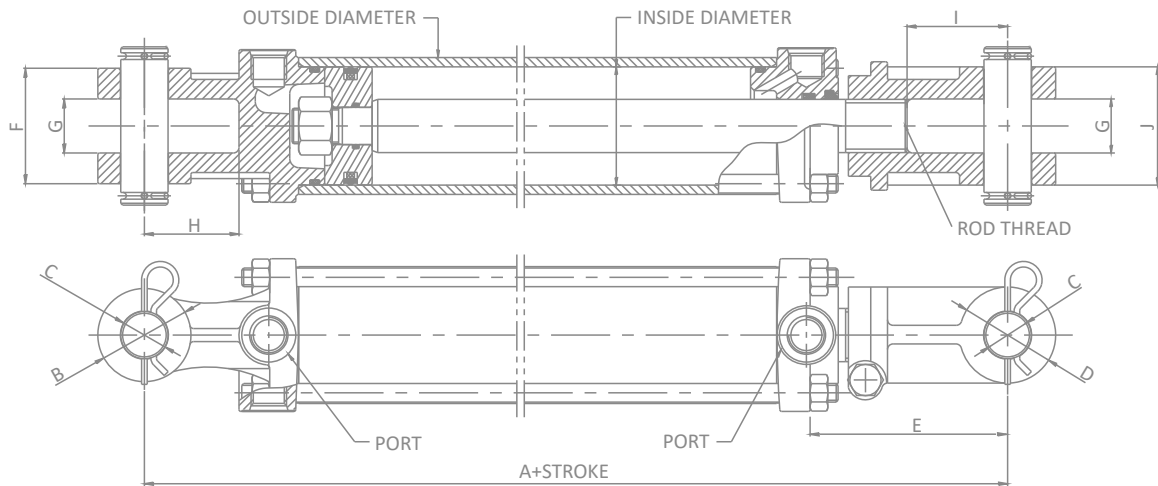
PART NUMBER	ROD DIAMETER	BORE & STROKE	DIMENSIONS		PORT SIZE	PIN SIZE	WEIGHT ( LBS )	
			RETRACTED	EXTENDED				
601254004	1-1/4"	4" X 4"	14-1/4"	18-1/4"	1/2 NPT	1"	35.5	
601254006		4" X 6"	16-1/4"	22-1/4"			38.8	
601254008		4" X 8"	18-1/4"	26-1/4"			42.1	
601254008-S		4" X 8"	20-1/4"	28-1/4"			42.9	
601254010		4" X 10"	20-1/4"	30-1/4"			45.4	
601254012		4" X 12"	22-1/4"	34-1/4"			48.7	
601254014		4" X 14"	24-1/4"	38-1/4"			52.1	
601254016		4" X 16"	26-1/4"	42-1/4"			55.4	
601254016-S	2"	4" X 16"	31-1/4"	47-1/4"		1-1/4"	63.0	
601254018	1-1/2"	4" X 18"	28-1/4"	46-1/4"		1"	58.7	
601254020		4" X 20"	30-1/4"	50-1/4"			65.8	
601254024-150		4" X 24"	34-1/4"	58-1/4"			73.0	
601254024-175	1-3/4"	4" X 24"	34-1/4"	58-1/4"			78.3	
601254024-200	2"	4" X 24"	34-1/4"	58-1/4"			84.3	
601254030		4" X 30"	40-1/4"	70-1/4"			97.5	
601254036		4" X 36"	46-1/4"	82-1/4"			110.7	
601254040		4" X 40"	50-1/4"	90-1/4"	119.4			
601254048		4" X 48"	58-1/4"	106-1/4"	137.0			
601255004	1-1/2"	5" X 4"	16-1/4"	20-1/4"	1/2 NPT		1"	55.5
601255006		5" X 6"	18-1/4"	24-1/4"		59.9		
601255008		5" X 8"	20-1/4"	28-1/4"		64.4		
601255010		5" X 10"	22-1/4"	32-1/4"		68.9		
601255012	2"	5" X 12"	24-1/4"	36-1/4"		1"	80.7	
601255014		5" X 14"	26-1/4"	40-1/4"			85.9	
601255016		5" X 16"	28-1/4"	44-1/4"			91.2	
601255016-S		5" X 16"	31-1/2"	47-1/4"			1-1/4"	92.9
601255018		5" X 18"	30-1/4"	48-1/4"			1"	96.4
601255020		5" X 20"	32-1/4"	52-1/4"				101.7
601255024		5" X 24"	36-1/4"	60-1/4"				112.1
601255030		5" X 30"	42-1/4"	72-1/4"				127.9
601255036	5" X 36"	48-1/4"	84-1/4"	143.6				



# TIE ROD AGRICULTURE CYLINDERS TR 3000PSI



# TIE ROD AGRICULTURE CYLINDERS TR 3000PSI



PART NUMBER	INSIDER DIAMETER	OUTSIDER DIAMETER	*A	B	*C	D	*E	F	*G	H	I	J	ROD THREAD	PORT
6013020-	2.00"	2.50"	10.25"	2.00"	1.01"	2.00"	3.75"	2.25"	1.12"	2.06"	2.12"	2.62"	1.125-12 UNF	SAE#8
6013025-	2.50"	3.00"	10.25"	2.00"	1.01"	2.00"	3.75"	2.25"	1.12"	2.06"	2.12"	2.62"	1.125-12 UNF	SAE#8
6013030-	3.00"	3.50"	10.25"	2.25"	1.01"	2.25"	3.75"	2.25"	1.12"	2.06"	2.12"	2.62"	1.250-12 UNF	SAE#8
6013035-	3.50"	4.00"	10.25"	2.50"	1.01"	2.50"	3.62"	2.50"	1.12"	2.06"	2.12"	2.75"	1.250-12 UNF	SAE#8
6013040-	4.00"	4.50"	10.25"	2.50"	1.01"	2.50"	3.56"	2.62"	1.12"	2.06"	2.12"	2.75"	1.250-12 UNF	SAE#8
6013050-	5.00"	5.50"	12.25"	2.87"	1.26"	2.75"	4.18"	3.50"	1.12"	2.25"	2.12"	3.31"	1.500-12 UNF	SAE#10

\*FOR 8.00" ASAE STROKE: \*A=12.25" AND FOR 16.00" ASAE STROKE: \*A=15.50"

\*FOR 8.00" STROKE: \*E=5.75" ( 2.00" TO 3.00" BORE ) \*E=5.62" ( 3.50" BORE ) \*E=5.56" ( 4.00" BORE )

\*FOR 16.00" ASAE STROKE: \*E=9.00" ( 2.00" TO 3.00" BORE ) \*E=8.87" ( 3.50" BORE ) \*E=8.81" ( 4.00" BORE )=7.43" ( 5.00" BORE )

\*FOR 5.00" BORE: \*G( FRONT CLEVIS )=1.18" \*G( END CAP )=1.31"

\*FOR 16.00" ASAE STROKE: \*C=126"

SEAL TEMPERATURE RANGE: -30°C/+100°C (-22°F/+212°F )

SEAL MAXIMUM SPEED: 3 FT/SEC

MAXIMUM RETRACTED WORKING PRESSURE=3000 PSI

DIMENSIONS \*A AND \*E ARE FOR REFERENCES ONLY AS CLEVIS IS ADJUSTABLE

## TIE-ROD CYLINDER

PART NUMBER	ROD DIAMETER	BORE & STROKE	DIMENSIONS		PORT SIZE	PIN SIZE	WEIGHT ( LBS )
			RETRACTED	EXTENDED			
601302004	1-1/8"	2" X 4"	14-1/4"	18-1/4"	3/8" NPT & SAE#8	1"	16.8
601302006		2" X 6"	16-1/4"	22-1/4"			18.4
601302008		2" X 8"	18-1/4"	26-1/4"			20.0
601302008-S		2" X 8"	20-1/4"	28-1/4"			20.5
601302010		2" X 10"	20-1/4"	30-1/4"			21.5
601302012		2" X 12"	22-1/4"	34-1/4"			23.1
601302014		2" X 16"	24-1/4"	38-1/4"			24.7
601302016		2" X 16"	26-1/4"	42-1/4"			26.3
601302016-S		2" X 18"	31-1/4"	47-1/4"			26.9
601302018		2" X 20"	28-1/4"	46-1/4"			27.9
601302020		2" X 20"	30-1/4"	50-1/4"			29.5
601302024		2" X 24"	34-1/4"	58-1/4"			32.6
601302030		2" X 30"	40-1/4"	70-1/4"			37.4
601302036		2" X 36"	46-1/4"	82-1/4"			42.2
601302040		2" X 40"	50-1/4"	90-1/4"			45.3
601302048		2" X 48"	58-1/4"	106-1/4"			51.7
601302504		1-1/4"	2.5" X 4"	14-1/4"			18-1/4"
601302506	2.5" X 6"		16-1/4"	22-1/4"	20.9		
601302508	2.5" X 8"		18-1/4"	26-1/4"	22.8		
601302508-S	2.5" X 8"		20-1/4"	28-1/4"	23.6		
601302510	2.5" X 10"		20-1/4"	30-1/4"	25.5		
601302512	2.5" X 12"		22-1/4"	34-1/4"	27.8		
601302514	2.5" X 14"		24-1/4"	38-1/4"	30.2		
601302516	2.5" X 16"		26-1/4"	42-1/4"	32.5		
601302516-S	2.5" X 16"		31-1/4"	47-1/4"	33.4		
601302518	2.5" X 18"		28-1/4"	46-1/4"	34.8		
601302520	2.5" X 20"		30-1/4"	50-1/4"	37.1		
601302524	2.5" X 24"		34-1/4"	58-1/4"	41.8		
601302530	2.5" X 30"		40-1/4"	70-1/4"	43.6		
601302536	2.5" X 36"		46-1/4"	82-1/4"	49.6		
601302540	2.5" X 40"		50-1/4"	90-1/4"	53.7		
601302548	2.5" X 48"		58-1/4"	106-1/4"	61.7		

**TIE-ROD CYLINDER**

PART NUMBER	ROD DIAMETER	BORE & STROKE	DIMENSIONS		PORT SIZE	PIN SIZE	WEIGHT ( LBS )	
			RETRACTED	EXTENDED				
601303004	1-1/4"	3" X 4"	14-1/4"	18-1/4"	1/2" NPT & SAE#8	1"	22.1	
601303006		3" X 6"	16-1/4"	22-1/4"			24.0	
601303008		3" X 8"	18-1/4"	26-1/4"			26.1	
601303008-S		3" X 8"	20-1/4"	28-1/4"			8.4	
601303010		3" X 10"	20-1/4"	30-1/4"			28.2	
601303012		3" X 12"	22-1/4"	34-1/4"			30.3	
601303014		3" X 14"	24-1/4"	38-1/4"			32.4	
601303016	1-1/4"	3" X 16"	26-1/4"	42-1/4"		1/2" NPT & SAE#8	1-1/4"	38.7
601303016-S		3" X 16"	31-1/4"	47-1/4"				39.4
601303018		3" X 18"	28-1/4"	46-1/4"			1"	41.2
601303020		3" X 20"	30-1/4"	50-1/4"				43.8
601303024		3" X 24"	34-1/4"	58-1/4"				47.0
601303030		3" X 30"	40-1/4"	70-1/4"				54.3
601303036		3" X 36"	46-1/4"	82-1/4"				61.4
601303040		3" X 40"	50-1/4"	90-1/4"	66.2			
601303048		3" X 48"	58-1/4"	106-1/4"	75.9			
601303504		1-1/4"	3.5 X 4"	14-1/4"	18-1/4"			1/2" NPT & SAE#8
601303506	3.5 X 6"		16-1/4"	22-1/4"	27.8			
601303508	3.5 X 8"		18-1/4"	26-1/4"	30.7			
601303508-S	3.5 X 8"		20-1/4"	28-1/4"	9.9			
601303510	3.5 X 10"		20-1/4"	30-1/4"	33.6			
601303512	3.5 X 12"		22-1/4"	34-1/4"	36.6			
601303514	3.5 X 14"		24-1/4"	38-1/4"	39.5			
601303516	1-1/2"	3.5 X 16"	26-1/4"	42-1/4"	1/2" NPT & SAE#8	1-1/4"	46.6	
601303516-S		3.5 X 16"	31-1/4"	47-1/4"			47.6	
601303518		3.5 X 18"	28-1/4"	46-1/4"		1"	50.0	
601303520		3.5 X 20"	30-1/4"	50-1/4"			53.3	
601303524		3.5 X 24"	34-1/4"	58-1/4"			69.2	
601303530		3.5 X 30"	40-1/4"	70-1/4"			67.9	
601303536		3.5 X 36"	46-1/4"	82-1/4"			77.5	
601303540		3.5 X 40"	50-1/4"	90-1/4"			84.0	
601303548		3.5 X 48"	58-1/4"	106-1/4"			96.8	

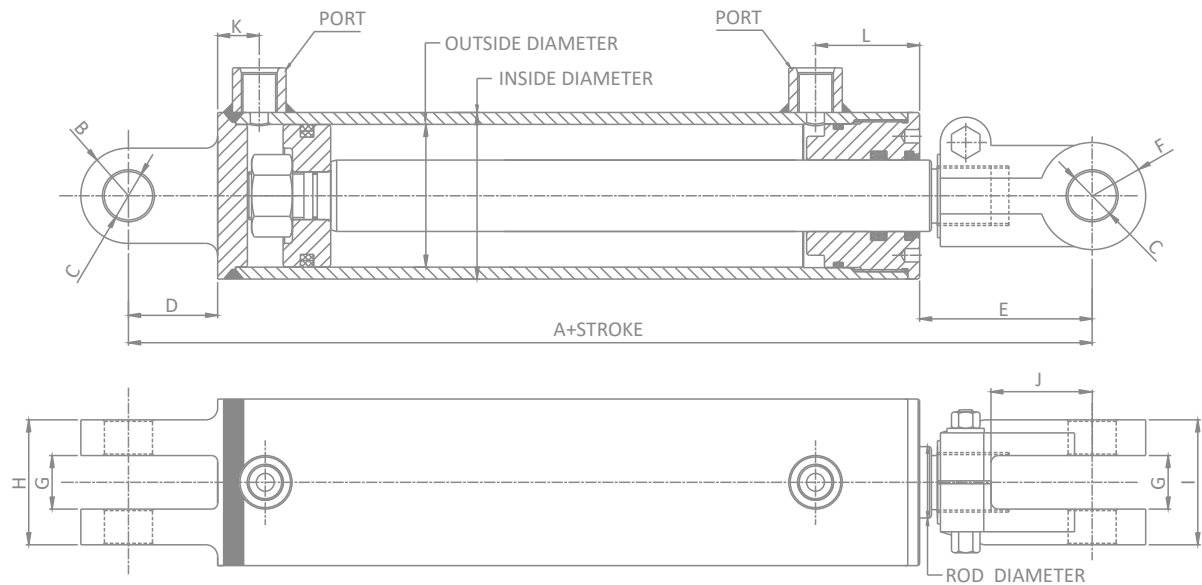
## TIE-ROD CYLINDER

PART NUMBER	ROD DIAMETER	BORE & STROKE	DIMENSIONS		PORT SIZE	PIN SIZE	WEIGHT (LBS)	
			RETRACTED	EXTENDED				
601304004	1-1/2"	4" X 4"	14-1/4"	18-1/4"	1/2" NPT & SAE#8	1"	52.0	
601304006		4" X 6"	16-1/4"	22-1/4"			55.6	
601304008		4" X 8"	18-1/4"	26-1/4"			58.9	
601304008-S		4" X 8"	20-1/4"	28-1/4"			18.7	
601304010		4" X 10"	20-1/4"	30-1/4"			62.8	
601304012		4" X 12"	22-1/4"	34-1/4"			66.4	
601304014		4" X 14"	24-1/4"	38-1/4"			70.0	
601304016		1-3/4"	4" X 16"	26-1/4"			42-1/4"	1-1/4"
601304016-S	4" X 16"		31-1/4"	47-1/4"	85.2			
601304018	4" X 18"		28-1/4"	46-1/4"	84.7			
601304020	4" X 20"		30-1/4"	50-1/4"	85.1			
601304024	4" X 24"		34-1/4"	58-1/4"	93.1			
601304030	2"		4" X 30"	40-1/4"	70-1/4"	1"	111.6	
601304036			4" X 36"	46-1/4"	82-1/4"		124.8	
601304040			4" X 40"	50-1/4"	90-1/4"		133.6	
601304048		4" X 48"	58-1/4"	106-1/4"	151.1			
601305004		2"	5" X 4"	16-1/4"	20-1/4"		1/2" NPT & SAE#10	1-1/4"
601305006	5" X 6"		18-1/4"	24-1/4"	64.9			
601305008	5" X 8"		20-1/4"	28-1/4"	70.2			
601305010	5" X 10"		22-1/4"	32-1/4"	75.4			
601305012	5" X 12"		24-1/4"	36-1/4"	80.7			
601305014	5" X 14"		26-1/4"	40-1/4"	85.9			
601305016	5" X 16"		28-1/4"	44-1/4"	91.2			
601305016-S	5" X 16"		31-1/4"	47-1/4"	92.9			
601305018	5" X 18"		30-1/4"	48-1/4"	96.4			
601305020	5" X 20"		32-1/4"	52-1/4"	101.7			
601305024	5" X 24"		36-1/4"	60-1/4"	112.1			
601305030	5" X 30"		42-1/4"	72-1/4"	127.9			
601305036	5" X 36"		48-1/4"	84-1/4"	143.6			
601305040	5" X 40"		50-1/4"	90-1/4"	154.1			
601305048	5" X 48"		60-1/4"	108-1/4"	175.1			

# WELDED HYDRAULIC CYLINDERS ACL 3000PSI



# WELDED HYDRAULIC CYLINDERS ACL 3000PSI



PART NUMBER	INSIDER DIAMETER	OUTSIDER DIAMETER	*A	B	C	D	*E	F	G	H	I	J	K	L	ROD THREAD	ROD DIAMETER	PORT
6023015-	1.50"	2.00"	10.25"	1.50"	0.76"	1.62"	4.50"	1.87"	0.87"	1.75"	2.00"	1.62"	0.93"	1.87"	0.875-14 UNF	1.00"	SAE#6
6023020-	2.00"	2.50"	10.25"	2.00"	1.01"	2.12"	3.62"	2.25"	1.12"	2.12"	2.62"	2.12"	0.81"	2.06"	1.125-12 UNF	1.12"	SAE#8
6023025-	2.50"	3.00"	10.25"	2.00"	1.01"	2.12"	3.62"	2.25"	1.12"	2.12"	2.62"	2.12"	0.81"	2.06"	1.125-12 UNF	1.25"	SAE#8
6023030-	3.00"	3.50"	10.25"	2.00"	1.01"	1.87"	3.62"	2.25"	1.12"	2.62"	2.62"	2.12"	0.87"	2.18"	1.250-12 UNF	1.50"	SAE#8
6023035-	3.50"	4.00"	10.25"	2.00"	1.01"	1.87"	3.62"	2.50"	1.12"	2.62"	2.75"	2.12"	0.93"	2.18"	1.500-12 UNF	1.75"	SAE#8
6023040-	4.00"	4.50"	12.25"	2.25"	1.01"	1.75"	3.62"	2.50"	1.12"	2.62"	2.75"	2.12"	1.00"	2.18"	1.500-12 UNF	2.00"	SAE#8

\*FOR 8.00" STROKE: \*A=12.25"

\*FOR 8.00" STROKE: \*E=6.50" ( 1.50" BORE )E=5.62" ( 2.00" TO 4.00" BORE )

SEAL TEMPERATURE RANGE: -30°C/+100°C ( -22°F/+212°F )

SEAL MAXIMUM SPEED: 3 FT/SEC

MAXIMUM RETRACTED WORKING PRESSURE=3000 PSI

DIMENSIONS \*A AND \*E ARE FOR REFERENCES ONLY AS CLEVIS IS ADJUSTABLE

**ADJUSTABLE FEMALE CLEVIS CYLINDER**

PART NUMBER	ROD DIAMETER	BORE & STROKE	DIMENSIONS		PORT SIZE	PIN SIZE	WEIGHT ( LBS )			
			RETRACTED	EXTENDED						
602301504	1"	1.5" X 4"	14-1/4"	18-1/4"	SAE#6	3/4"	10			
602301506		1.5" X 6"	16-1/4"	22-1/4"			11			
602301508		1.5" X 8"	18-1/4"	26-1/4"			12			
602301508-S		1.5" X 8"	20-1/4"	28-1/4"			13			
602301510		1.5" X 10"	20-1/4"	30-1/4"			13			
602301512		1.5" X 12"	22-1/4"	34-1/4"			15			
602301514		1.5" X 14"	24-1/4"	38-1/4"			16			
602301516		1.5" X 16"	26-1/4"	42-1/4"			17			
602301518		1.5" X 18"	28-1/4"	46-1/4"			18			
602301520		1.5" X 20"	30-1/4"	50-1/4"			20			
602301524		1.5" X 24"	34-1/4"	58-1/4"			22			
602301528		1.5" X 28"	38-1/4"	66-1/4"			25			
602301530		1.5" X 30"	40-1/4"	70-1/4"			26			
602301532		1.5" X 32"	42-1/4"	74-1/4"			27			
602301534		1.5" X 34"	44-1/4"	78-1/4"			28			
602301536		1.5" X 36"	46-1/4"	82-1/4"			29			
602302004		1"	2" X 4"	14-1/4"			18-1/4"	SAE#8	1"	16
602302006			2" X 6"	16-1/4"			22-1/4"			17
602302008	2" X 8"		18-1/4"	26-1/4"	19					
602302008-S	2" X 8"		20-1/4"	28-1/4"	20					
602302010	2" X 10"		20-1/4"	30-1/4"	20					
602302012	2" X 12"		22-1/4"	34-1/4"	22					
602302014	2" X 14"		24-1/4"	38-1/4"	24					
602302016	2" X 16"		26-1/4"	42-1/4"	25					
602302018	2" X 18"		28-1/4"	46-1/4"	27					
602302020	2" X 20"		30-1/4"	50-1/4"	28					
602302024	2" X 24"		34-1/4"	58-1/4"	31					
602302028	2" X 28"		38-1/4"	66-1/4"	35					
602302030	2" X 30"		40-1/4"	70-1/4"	36					
602302032	2" X 32"		42-1/4"	74-1/4"	38					
602302034	2" X 34"		44-1/4"	78-1/4"	39					
602302036	2" X 36"		46-1/4"	82-1/4"	41					



## ADJUSTABLE FEMALE CLEVIS CYLINDER

PART NUMBER	ROD DIAMETER	BORE & STROKE	DIMENSIONS		PORT SIZE	PIN SIZE	WEIGHT ( LBS )
			RETRACTED	EXTENDED			
602302504	1"	2.5" X 4"	14-1/4"	18-1/4"	SAE#8	1"	19
602302506		2.5" X 6"	16-1/4"	22-1/4"			21
602302508		2.5" X 8"	18-1/4"	26-1/4"			23
602302508-S		2.5" X 8"	20-1/4"	28-1/4"			23
602302510		2.5" X 10"	20-1/4"	30-1/4"			24
602302512		2.5" X 12"	22-1/4"	34-1/4"			26
602302514		2.5" X 14"	24-1/4"	38-1/4"			28
602302516		2.5" X 16"	26-1/4"	42-1/4"			30
602302518		2.5" X 18"	28-1/4"	46-1/4"			32
602302520		2.5" X 20"	30-1/4"	50-1/4"			34
602302524		2.5" X 24"	34-1/4"	58-1/4"			38
602302528		2.5" X 28"	38-1/4"	66-1/4"			42
602302530		2.5" X 30"	40-1/4"	70-1/4"			44
602302532		2.5" X 32"	42-1/4"	74-1/4"			46
602302534		2.5" X 34"	44-1/4"	78-1/4"			48
602302536		2.5" X 36"	46-1/4"	82-1/4"			49
602303004		1"	3" X 4"	14-1/4"			18-1/4"
602303006	3" X 6"		16-1/4"	22-1/4"	26		
602303008	3" X 8"		18-1/4"	26-1/4"	29		
602303008-S	3" X 8"		20-1/4"	28-1/4"	29		
602303010	3" X 10"		20-1/4"	30-1/4"	31		
602303012	3" X 12"		22-1/4"	34-1/4"	34		
602303014	3" X 14"		24-1/4"	38-1/4"	36		
602303016	3" X 16"		26-1/4"	42-1/4"	39		
602303018	3" X 18"		28-1/4"	46-1/4"	41		
602303020	3" X 20"		30-1/4"	50-1/4"	43		
602303024	3" X 24"		34-1/4"	58-1/4"	48		
602303028	3" X 28"		38-1/4"	66-1/4"	53		
602303030	3" X 30"		40-1/4"	70-1/4"	56		
602303032	3" X 32"		42-1/4"	74-1/4"	58		
602303034	3" X 34"		44-1/4"	78-1/4"	61		
602303036	3" X 36"		46-1/4"	82-1/4"	63		

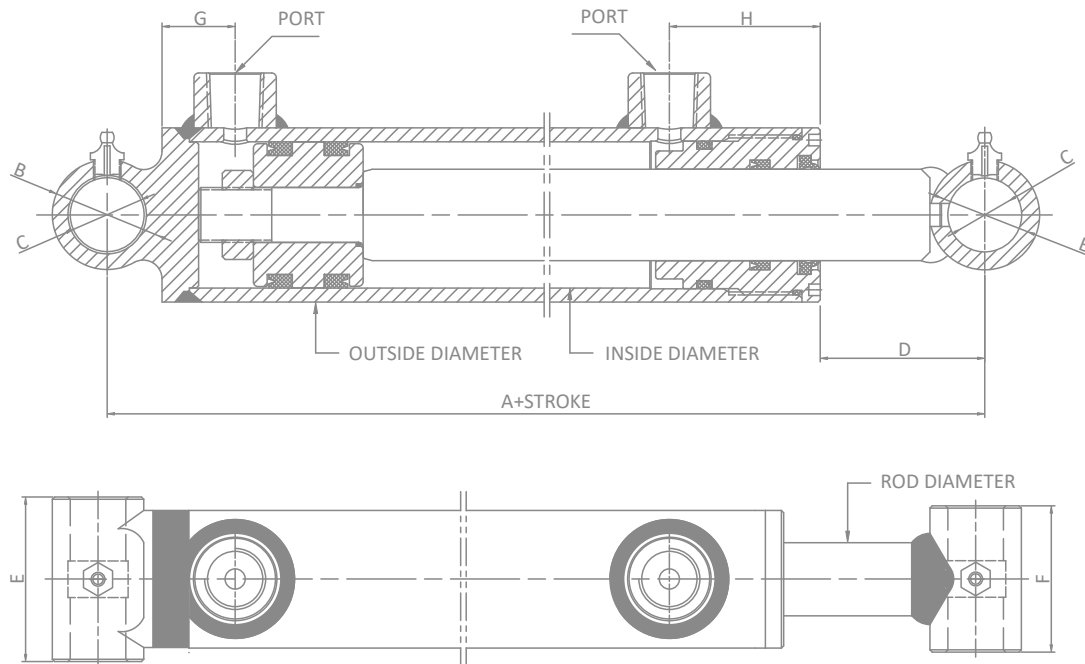
**ADJUSTABLE FEMALE CLEVIS CYLINDER**

PART NUMBER	ROD DIAMETER	BORE & STROKE	DIMENSIONS		PORT SIZE	PIN SIZE	WEIGHT ( LBS )
			RETRACTED	EXTENDED			
602303504	1"	3.5" X 4"	14-1/4"	18-1/4"	SAE#8	1"	29
602303506		3.5" X 6"	16-1/4"	22-1/4"			32
602303508		3.5" X 8"	18-1/4"	26-1/4"			35
602303508-S		3.5" X 8"	20-1/4"	28-1/4"			36
602303510		3.5" X 10"	20-1/4"	30-1/4"			38
602303512		3.5" X 12"	22-1/4"	34-1/4"			41
602303514		3.5" X 14"	24-1/4"	38-1/4"			44
602303516		3.5" X 16"	26-1/4"	42-1/4"			47
602303518		3.5" X 18"	28-1/4"	46-1/4"			50
602303520		3.5" X 20"	30-1/4"	50-1/4"			53
602303524		3.5" X 24"	34-1/4"	58-1/4"			59
602303528		3.5" X 28"	38-1/4"	66-1/4"			65
602303530		3.5" X 30"	40-1/4"	70-1/4"			68
602303532		3.5" X 32"	42-1/4"	74-1/4"			71
602303534		3.5" X 34"	44-1/4"	78-1/4"			75
602303536		3.5" X 36"	46-1/4"	82-1/4"			78
602304004		1"	4" X 4"	14-1/4"			18-1/4"
602304006	4" X 6"		16-1/4"	22-1/4"	38		
602304008	4" X 8"		18-1/4"	26-1/4"	42		
602304008-S	4" X 8"		20-1/4"	28-1/4"	43		
602304010	4" X 10"		20-1/4"	30-1/4"	46		
602304012	4" X 12"		22-1/4"	34-1/4"	49		
602304014	4" X 14"		24-1/4"	38-1/4"	53		
602304016	4" X 16"		26-1/4"	42-1/4"	57		
602304018	4" X 18"		28-1/4"	46-1/4"	60		
602304020	4" X 20"		30-1/4"	50-1/4"	64		
602304024	4" X 24"		34-1/4"	58-1/4"	71		
602304028	4" X 28"		38-1/4"	66-1/4"	79		
602304030	4" X 30"		40-1/4"	70-1/4"	83		
602304032	4" X 32"		42-1/4"	74-1/4"	86		
602304034	4" X 34"		44-1/4"	78-1/4"	90		
602304036	4" X 36"		46-1/4"	82-1/4"	94		

# WELDED HYDRAULIC CYLINDERS WBU 3000PSI



# WELDED HYDRAULIC CYLINDERS WBU 3000PSI



PART NUMBER	INSIDER DIAMETER	OUTSIDER DIAMETER	A	B	C	D	E	F	G	H	ROD DIAMETER	PORT
6033015-	1.50"	2.00"	8.00"	1.25"	0.76"	2.62"	2.25"	2.00"	1.06"	1.87"	1.00"	1/4 NPT
6033020-	2.00"	2.50"	8.00"	1.50"	1.01"	2.25"	2.75"	2.25"	1.00"	2.06"	1.25"	3/8 NPT
6033025-	2.50"	3.00"	8.00"	1.50"	1.01"	2.25"	3.25"	2.25"	0.81"	2.18"	1.50"	1/2 NPT
6033030-	3.00"	3.50"	8.00"	1.50"	1.01"	2.25"	3.75"	2.25"	0.81"	2.18"	1.50"	1/2 NPT
6033035-	3.50"	4.00"	10.00"	2.00"	1.26"	4.00"	4.25"	2.25"	0.81"	2.18"	1.75"	1/2 NPT
6033040-	4.00"	4.50"	10.00"	2.25"	1.51"	3.75"	4.75"	2.50"	0.81"	2.18"	2.00"	1/2 NPT
6033050-	5.00"	5.50"	10.00"	3.00"	1.76"	3.20"	5.75"	3.25"	1.25"	2.75"	2.50"	1/2 NPT

\*FOR 5.00" BORE: 2.00" PINS ARE AVAILABLE WITH REMOVABLE BUSHING

\*FOR 1.50" TO 4.00" BORE SAE PORTS ARE AVAILABLE

SEAL TEMPERATURE RANGE: -30°C/+100°C (-22°F/+212°F)

SEAL MAXIMUM SPEED: 3 FT/SEC

MAXIMUM RETRACTED WORKING PRESSURE=3000 PSI

## ADJUSTABLE FEMALE CLEVIS CYLINDER

PART NUMBER	ROD DIAMETER	BORE & STROKE	DIMENSIONS		PORT SIZE	PIN SIZE	WEIGHT ( LBS )
			RETRACTED	EXTENDED			
603301504	1"	1.5" X 4"	12"	16"	1/4 NPT	3/4"	8
603301506		1.5" X 6"	14"	20"			9
603301508		1.5" X 8"	16"	24"			10
603301510		1.5" X 10"	18"	28"			11
603301512		1.5" X 12"	20"	32"			13
603301514		1.5" X 14"	22"	36"			14
603301516		1.5" X 16"	24"	40"			15
603301518		1.5" X 18"	26"	44"			16
603301520		1.5" X 20"	28"	48"			18
603301524		1.5" X 24"	32"	56"			20
603302004		1-1/4"	2" X 4"	12"			16"
603302006	2" X 6"		14"	20"	13		
603302008	2" X 8"		16"	24"	15		
603302010	2" X 10"		18"	28"	17		
603302012	2" X 12"		20"	32"	19		
603302014	2" X 14"		22"	36"	20		
603302016	2" X 16"		24"	40"	22		
603302018	2" X 18"		26"	44"	24		
603302020	2" X 20"		28"	48"	25		
603302024	2" X 24"		32"	56"	29		
603302028	2" X 28"		36"	64"	32		
603302030	2" X 30"		38"	68"	34		
603302032	2" X 32"		40"	72"	36		
603302036	2" X 36"		44"	80"	39		
603302040	2" X 40"		48"	88"	42		
603302048	2" X 48"		56"	104"	49		
603302504	1-1/2"	2.5" X 4"	12"	16"	1/2 NPT	1"	16
603302506		2.5" X 6"	14"	20"			18
603302508		2.5" X 8"	16"	24"			20
603302510		2.5" X 10"	18"	28"			22
603302512		2.5" X 12"	20"	32"			25
603302514		2.5" X 14"	22"	36"			27
603302516		2.5" X 16"	24"	40"			29
603302518		2.5" X 18"	26"	44"			31
603302520		2.5" X 20"	28"	48"			34
603302524		2.5" X 24"	32"	56"			38
603302528		2.5" X 28"	36"	64"			43
603302530		2.5" X 30"	38"	68"			45
603302532		2.5" X 32"	40"	72"			47
603302536		2.5" X 36"	44"	80"			51
603302540		2.5" X 40"	48"	88"			56
603302548	2.5" X 48"	56"	104"	65			

**ADJUSTABLE FEMALE CLEVIS CYLINDER**

PART NUMBER	ROD DIAMETER	BORE & STROKE	DIMENSIONS		PORT SIZE	PIN SIZE	WEIGHT ( LBS )
			RETRACTED	EXTENDED			
603303004	1-1/2"	3" X 4"	12"	16"	1/2 PNT	1"	19
603303006		3" X 6"	14"	20"			22
603303008		3" X 8"	16"	24"			24
603303010		3" X 10"	18"	28"			27
603303012		3" X 12"	20"	32"			29
603303014		3" X 14"	22"	36"			32
603303016		3" X 16"	24"	40"			34
603303018		3" X 18"	26"	44"			36
603303020		3" X 20"	28"	48"			39
603303024		3" X 24"	32"	56"			44
603303028		3" X 28"	36"	64"			49
603303030		3" X 30"	38"	68"			51
603303032		3" X 32"	40"	72"			54
603303036		3" X 36"	44"	80"			59
603303040		3" X 40"	48"	88"			63
603303048		3" X 48"	56"	104"			73
603303504	1-3/4"	3.5" X 4"	14"	18"	1/2 PNT	1-1/4"	27
603303506		3.5" X 6"	16"	22"			30
603303508		3.5" X 8"	18"	26"			33
603303510		3.5" X 10"	20"	30"			36
603303512		3.5" X 12"	22"	34"			39
603303014		3.5" X 14"	24"	38"			42
603303516		3.5" X 16"	26"	42"			45
603303518		3.5" X 18"	28"	46"			48
603303520		3.5" X 20"	30"	50"			51
603303524		3.5" X 24"	34"	58"			57
603303528		3.5" X 28"	38"	66"			64
603303530		3.5" X 30"	40"	70"			67
603303532		3.5" X 32"	42"	74"			70
603303536		3.5" X 36"	46"	82"			76
603303540		3.5" X 40"	50"	90"			82
603303548		3.5" X 48"	58"	106"			94

## ADJUSTABLE FEMALE CLEVIS CYLINDER

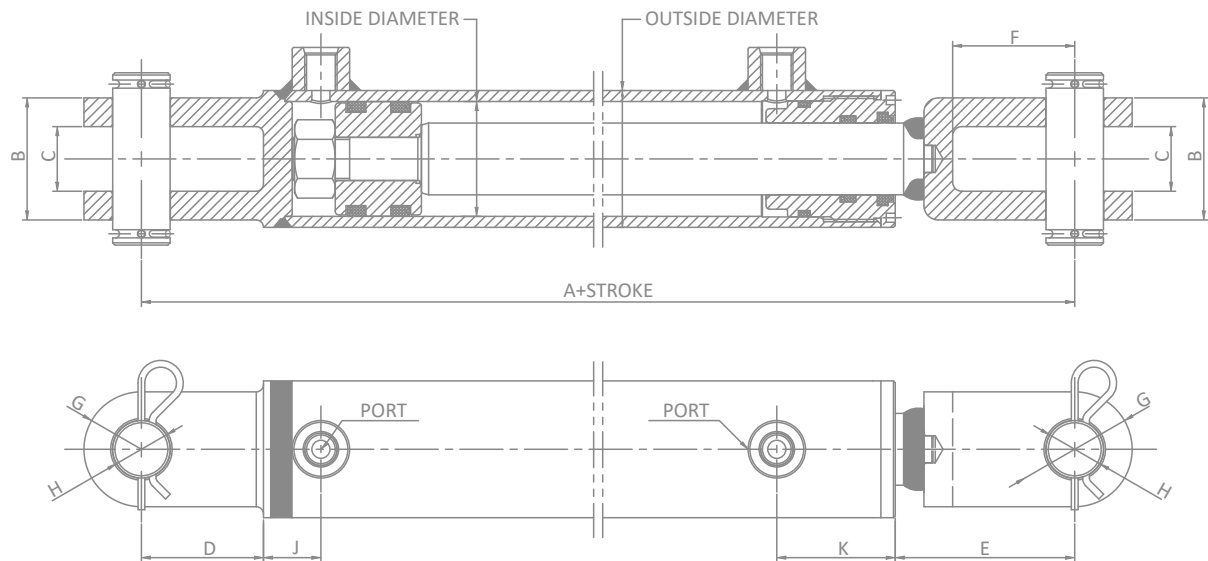
PART NUMBER	ROD DIAMETER	BORE & STROKE	DIMENSIONS		PORT SIZE	PIN SIZE	WEIGHT ( LBS )
			RETRACTED	EXTENDED			
603304004	2"	4" X 4"	14"	18"	1/2 PNT	1-1/2"	34
603304006		4" X 6"	16"	22"			38
603304008		4" X 8"	18"	26"			41
603304010		4" X 10"	20"	30"			45
603304012		4" X 12"	22"	34"			49
603304014		4" X 14"	24"	38"			52
603304016		4" X 16"	26"	42"			56
603304018		4" X 18"	28"	46"			60
603304020		4" X 20"	30"	50"			63
603304024		4" X 24"	34"	58"			71
603304028		4" X 28"	38"	66"			78
603304030		4" X 30"	40"	70"			82
603304032		4" X 32"	42"	74"			85
603304036		4" X 36"	46"	82"			93
603304040		4" X 40"	50"	90"			100
603304048		4" X 48"	58"	106"			115
603305004	2-1/2"	5" X 4"	14"	18"	1/2 PNT	1-3/4"	65
603305006		5" X 6"	16"	22"			70
603305008		5" X 8"	18"	26"			75
603305010		5" X 10"	20"	30"			80
603305012		5" X 12"	22"	34"			85
603305014		5" X 14"	24"	38"			90
603305016		5" X 16"	26"	42"			96
603305018		5" X 18"	28"	46"			101
603305020		5" X 20"	30"	50"			106
603305024		5" X 24"	34"	58"			116
603305028		5" X 28"	38"	66"			126
603305030		5" X 30"	40"	70"			131
603305032		5" X 32"	42"	74"			137
603305036		5" X 36"	46"	82"			147
603305040		5" X 40"	50"	90"			157
603305048		5" X 48"	58"	106"			178

# WELDED HYDRAULIC CYLINDERS WCL 3000PSI





# WELDED HYDRAULIC CYLINDERS WCL 3000PSI



PART NUMBER	INSIDER DIAMETER	OUTSIDER DIAMETER	*A	B	C	D	*E	F	G	H	J	K	ROD DIAMETER	PORT
6043015-	1.50"	2.00"	8.25"	1.62"	0.87"	1.37"	2.25"	1.37"	0.75"	0.76"	0.93"	1.87"	1.00"	3/8 NPT
6043020-	2.00"	2.50"	10.25"	2.12"	1.12"	2.12"	3.12"	2.12"	1.00"	1.01"	1.00"	2.06"	1.25"	3/8 NPT
6043025-	2.50"	3.00"	10.25"	2.12"	1.12"	2.12"	3.12"	2.12"	1.00"	1.01"	0.81"	2.18"	1.50"	1/2 NPT
6043030-	3.00"	3.50"	10.25"	2.12"	1.12"	2.12"	3.12"	2.12"	1.00"	1.01"	0.81"	2.18"	1.50"	1/2 NPT
6043035-	3.50"	4.00"	10.25"	2.37"	1.12"	2.00"	3.12"	2.12"	1.00"	1.01"	0.93"	2.18"	1.75"	1/2 NPT
6043040-	4.00"	4.50"	10.25"	2.37"	1.12"	1.75"	3.12"	2.00"	1.00"	1.01"	1.06"	2.18"	2.00"	1/2 NPT
6043050-	5.00"	5.50"	13.00"	3.12"	1.62"	2.25"	3.62"	2.25"	1.51"	1.51"	1.37"	2.75"	2.50"	1/2 NPT

\*FOR 80.00" STROKE: \*A=12.25" ( 2.00" TO 400" BORE )

\*FOR 80.00" STROKE: \*E=512" ( 2.00" TO .400" BORE )

\*FOR 1.50" TO 5.00" BORE: SAE PORTS ARE AVAILABLE

SEAL TEMPERATURE RANGE:-30°C/+100°C (-22°F/+212°F)

SEAL MAXIMUM SPEED: 3 FT/SEC

MAXIMUM RETRACTED WORKING PRESSURE=3000 PSI

**WELDED FEMALE CLEVIS CYLINDER**

PART NUMBER	ROD DIAMETER	BORE & STROKE	DIMENSIONS		PORT SIZE	PIN SIZE	WEIGHT ( LBS )			
			RETRACTED	EXTENDED						
604301504	1"	1.5" X 4"	14-1/4"	18-1/4"	3/8 NPT	3/4"	8			
604301506		1.5" X 6"	16-1/4"	22-1/4"			9			
604301508		1.5" X 8"	18-1/4"	26-1/4"			11			
604301510		1.5" X 10"	20-1/4"	30-1/4"			12			
604301512		1.5" X 12"	22-1/4"	34-1/4"			13			
604301514		1.5" X 14"	24-1/4"	38-1/4"			14			
604301516		1.5" X 16"	26-1/4"	42-1/4"			15			
604301518		1.5" X 18"	28-1/4"	46-1/4"			17			
604301520		1.5" X 20"	30-1/4"	50-1/4"			18			
604301524		1.5" X 24"	34-1/4"	58-1/4"			20			
604302004		1-1/4"	2" X 4"	14-1/4"			18-1/4"	3/8 NPT	1"	14
604302006			2" X 6"	16-1/4"			22-1/4"			16
604302008	2" X 8"		18-1/4"	26-1/4"	18					
604302010	2" X 10"		20-1/4"	30-1/4"	19					
604302012	2" X 12"		22-1/4"	34-1/4"	21					
604302014	2" X 14"		24-1/4"	38-1/4"	23					
604302016	2" X 16"		26-1/4"	42-1/4"	25					
604302018	2" X 18"		28-1/4"	46-1/4"	26					
604302020	2" X 20"		30-1/4"	50-1/4"	28					
604302024	2" X 24"		34-1/4"	58-1/4"	31					
604302028	2" X 28"		38-1/4"	66-1/4"	35					
604302030	2" X 30"		40-1/4"	70-1/4"	36					
604302032	2" X 32"		42-1/4"	74-1/4"	38					
604302034	2" X 34"		44-1/4"	78-1/4"	40					
604302036	2" X 36"		46-1/4"	82-1/4"	42					
604302040	2" X 40"		50-1/4"	90-1/4"	45					
604302048	2" X 48"		58-1/4"	106-1/4"	52					
604302504	1-1/2"		2.5" X 4"	14-1/4"	18-1/4"	1/2 NPT	1"			18
604302506		2.5" X 6"	16-1/4"	22-1/4"	20					
604302508		2.5" X 8"	18-1/4"	26-1/4"	24					
604302510		2.5" X 10"	20-1/4"	30-1/4"	25					
604302512		2.5" X 12"	22-1/4"	34-1/4"	27					
604302514		2.5" X 14"	24-1/4"	38-1/4"	29					
604302516		2.5" X 16"	26-1/4"	42-1/4"	32					
604302518		2.5" X 18"	28-1/4"	46-1/4"	34					
604302520		2.5" X 20"	30-1/4"	50-1/4"	36					
604302524		2.5" X 24"	34-1/4"	58-1/4"	40					
604302528		2.5" X 28"	38-1/4"	66-1/4"	45					
604302530		2.5" X 30"	40-1/4"	70-1/4"	47					
604302532		2.5" X 32"	42-1/4"	74-1/4"	49					
604302534		2.5" X 34"	44-1/4"	78-1/4"	52					
604302536		2.5" X 36"	46-1/4"	82-1/4"	54					
604302540		2.5" X 40"	50-1/4"	90-1/4"	58					
604302548	2.5" X 48"	58-1/4"	106-1/4"	67						

## ADJUSTABLE FEMALE CLEVIS CYLINDER

PART NUMBER	ROD DIAMETER	BORE & STROKE	DIMENSIONS		PORT SIZE	PIN SIZE	WEIGHT (LBS)
			RETRACTED	EXTENDED			
604303004	1-1/2"	3" X 4"	14-1/4"	18-1/4"	1/2 NPT	1"	22
604303006		3" X 5"	16-1/4"	22-1/4"			24
604303008		3" X 8"	18-1/4"	26-1/4"			27
604303010		3" X 10"	20-1/4"	30-1/4"			29
604303012		3" X 12"	22-1/4"	34-1/4"			31
604303014		3" X 14"	24-1/4"	38-1/4"			34
604303016		3" X 16"	26-1/4"	42-1/4"			36
604303018		3" X 18"	28-1/4"	46-1/4"			39
604303020		3" X 20"	30-1/4"	50-1/4"			41
604303024		3" X 24"	34-1/4"	58-1/4"			46
604303028		3" X 28"	38-1/4"	66-1/4"			51
604303030		3" X 30"	40-1/4"	70-1/4"			53
604303032		3" X 32"	42-1/4"	74-1/4"			56
604303034		3" X 34"	44-1/4"	78-1/4"			58
604303036		3" X 36"	46-1/4"	82-1/4"			61
604303040		3" X 40"	50-1/4"	90-1/4"			66
604303048		3" X 48"	58-1/4"	106-1/4"			75
604303504		1-3/4"	3.5" X 4"	14-1/4"			18-1/4"
604303506	3.5" X 5"		16-1/4"	22-1/4"	30		
604303508	3.5" X 8"		18-1/4"	26-1/4"	35		
604303510	3.5" X 10"		20-1/4"	30-1/4"	36		
604303512	3.5" X 12"		22-1/4"	34-1/4"	39		
604303514	3.5" X 14"		24-1/4"	38-1/4"	42		
604303516	3.5" X 16"		26-1/4"	42-1/4"	46		
604303518	3.5" X 18"		28-1/4"	46-1/4"	49		
604303520	3.5" X 20"		30-1/4"	50-1/4"	52		
604303524	3.5" X 24"		34-1/4"	58-1/4"	58		
604303528	3.5" X 28"		38-1/4"	66-1/4"	64		
604303530	3.5" X 30"		40-1/4"	70-1/4"	67		
604303532	3.5" X 32"		42-1/4"	74-1/4"	70		
604303534	3.5" X 34"		44-1/4"	78-1/4"	73		
604303536	3.5" X 36"		46-1/4"	82-1/4"	76		
604303540	3.5" X 40"		50-1/4"	90-1/4"	82		
604303548	3.5" X 48"		58-1/4"	106-1/4"	94		

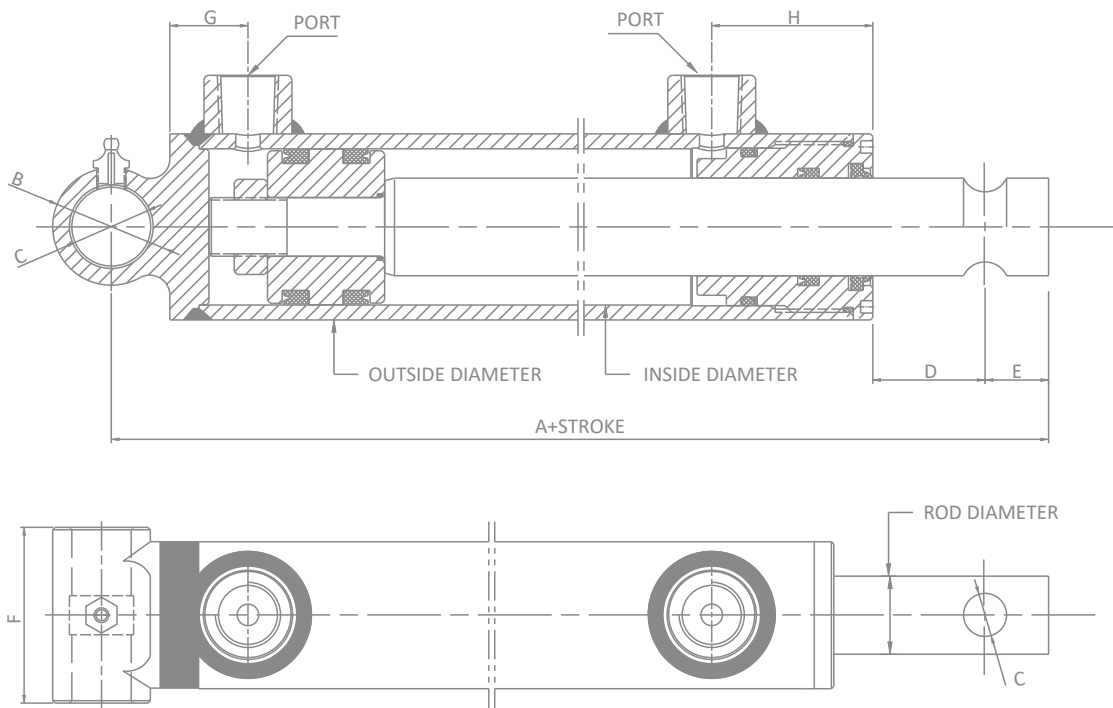
**ADJUSTABLE FEMALE CLEVIS CYLINDER**

PART NUMBER	ROD DIAMETER	BORE & STROKE	DIMENSIONS		PORT SIZE	PIN SIZE	WEIGHT ( LBS )
			RETRACTED	EXTENDED			
604304004	2"	4.0" X 4"	14-1/4"	18-1/4"	1/2 NPT	1"	33
604304006		4.0" X 6"	16-1/4"	22-1/4"			37
604304008		4.0" X 8"	18-1/4"	26-1/4"			42
604304010		4.0" X 10"	20-1/4"	30-1/4"			44
604304012		4.0" X 12"	22-1/4"	34-1/4"			48
604304014		4.0" X 14"	24-1/4"	38-1/4"			52
604304016		4.0" X 16"	26-1/4"	42-1/4"			55
604304018		4.0" X 18"	28-1/4"	46-1/4"			59
604304020		4.0" X 20"	30-1/4"	50-1/4"			63
604304024		4.0" X 24"	34-1/4"	58-1/4"			70
604304028		4.0" X 28"	38-1/4"	66-1/4"			77
604304030		4.0" X 30"	40-1/4"	70-1/4"			81
604304032		4.0" X 32"	42-1/4"	74-1/4"			85
604304034		4.0" X 34"	44-1/4"	78-1/4"			89
604304036		4.0" X 36"	46-1/4"	82-1/4"			92
604304040		4.0" X 40"	50-1/4"	90-1/4"			100
604304048		4.0" X 48"	58-1/4"	106-1/4"			114
604305004		2-1/2"	5.0" X 4"	16-1/4"			20-1/4"
604305006	5.0" X 6"		18-1/4"	24-1/4"	69		
604305008	5.0" X 8"		20-1/4"	28-1/4"	74		
604305010	5.0" X 10"		22-1/4"	32-1/4"	79		
604305012	5.0" X 12"		24-1/4"	36-1/4"	84		
604305014	5.0" X 14"		26-1/4"	40-1/4"	89		
604305016	5.0" X 16"		28-1/4"	42-1/4"	95		
604305018	5.0" X 18"		30-1/4"	48-1/4"	100		
604305020	5.0" X 20"		32-1/4"	52-1/4"	105		
604305024	5.0" X 24"		36-1/4"	60-1/4"	115		
604305028	5.0" X 28"		40-1/4"	68-1/4"	125		
604305030	5.0" X 30"		42-1/4"	72-1/4"	130		
604305032	5.0" X 32"		44-1/4"	76-1/4"	136		
604305034	5.0" X 34"		46-1/4"	80-1/4"	141		
604305036	5.0" X 36"		48-1/4"	84-1/4"	146		
604305040	5.0" X 40"		52-1/4"	92-1/4"	156		
604305048	5.0" X 48"		60-1/4"	108-1/4"	177		

# WELDED HYDRAULIC CYLINDERS WITH 3000PSI



# WELDED HYDRAULIC CYLINDERS WITH 3000PSI



PART NUMBER	INSIDER DIAMETER	OUTSIDER DIAMETER	A	B	C	D	E	F	G	H	ROD DIAMETER	PORT
6053015-	1.50"	2.00"	7.00"	1.25"	0.64"	2.43"	0.62"	2.00"	0.81"	1.87"	1.00"	SAE#6
6053020-	2.00"	2.50"	8.00"	1.25"	0.76"	3.37"	0.75"	2.50"	0.81"	1.87"	1.25"	SAE#8
6053025-	2.50"	3.00"	8.00"	1.25"	0.76"	3.12"	0.75"	3.00"	0.81"	2.06"	1.50"	SAE#8
6053030-	3.00"	3.50"	8.00"	1.50"	1.01"	2.56"	1.00"	3.50"	0.81"	2.18"	1.50"	SAE#8
6053035-	3.50"	4.00"	8.00"	1.50"	1.01"	2.43"	1.00"	4.00"	0.81"	2.18"	1.75"	SAE#8
6053040-	4.00"	4.50"	9.00"	2.00"	1.26"	2.43"	1.25"	4.50"	0.81"	2.18"	2.00"	SAE#8

SEAL TEMPERATURE RANGE: -30°C/+100°C (-22°F/+212°F )

SEAL MAXIMUM SPEED: 3 FT/SEC

MAXIMUM RETRACTED WORKING PRESSURE=3000 PSI

## ADJUSTABLE FEMALE CLEVIS CYLINDER

PART NUMBER	ROD DIAMETER	BORE & STROKE	DIMENSIONS		PORT SIZE	PIN SIZE	WEIGHT ( LBS )
			RETRACTED	EXTENDED			
605301504	1"	1.5" X 4"	11"	15"	SAE#6	5/8"	7
605301506		1.5" X 6"	13"	19"			8
605301508		1.5" X 8"	15"	23"			9
605301510		1.5" X 10"	17"	27"			11
605301512		1.5" X 12"	19"	31"			12
605301514		1.5" X 14"	21"	35"			13
605301516		1.5" X 16"	23"	39"			14
605302004		1-1/4"	2" X 4"	12"			16"
605302006	2" X 6"		14"	20"	12		
605302008	2" X 8"		16"	24"	14		
605302010	2" X 10"		18"	28"	16		
605302012	2" X 12"		20"	32"	17		
605302014	2" X 14"		22"	36"	19		
605302016	2" X 16"		24"	40"	21		
605302018	2" X 18"		26"	44"	22		
605302020	2" X 20"		28"	48"	24		
605302024	2" X 24"		32"	56"	27		
605302028	2" X 28"		36"	64"	31		
605302030	2" X 30"		38"	68"	33		
605302032	2" X 32"		40"	72"	34		
605302036	2" X 36"		44"	80"	38		
605302040	2" X 40"		48"	88"	41		
605302042	2" X 42"		50"	92"	43		
605302048	2" X 48"		56"	104"	48		
605302060	2" X 60"		68"	128"	58		
605302072	2" X 72"		80"	152"	68		

**ADJUSTABLE FEMALE CLEVIS CYLINDER**

PART NUMBER	ROD DIAMETER	BORE & STROKE	DIMENSIONS		PORT SIZE	PIN SIZE	WEIGHT ( LBS )
			RETRACTED	EXTENDED			
605302504	1-3/8"	2.5" X 4"	12"	16"	SAE#8	3/4"	14
605302506		2.5" X 6"	14"	20"			16
605302508		2.5" X 8"	16"	24"			18
605302510		2.5" X 10"	18"	28"			20
605302512		2.5" X 12"	20"	32"			22
605302514		2.5" X 14"	22"	36"			24
605302516		2.5" X 16"	24"	40"			26
605302518		2.5" X 18"	26"	44"			28
605302520		2.5" X 20"	28"	48"			30
605302524		2.5" X 24"	32"	56"			35
605302528		2.5" X 8"	36"	64"			39
605302530		2.5" X 30"	38"	68"			41
605302532		2.5" X 32"	40"	72"			43
605302536		2.5" X 36"	44"	80"			47
605302540		2.5" X 40"	48"	88"			51
605302542		2.5" X 42"	50"	92"			53
605302548		2.5" X 48"	56"	104"			59
605302560		2.5" X 60"	68"	128"			72
605303004	1-1/2"	3" X 4"	12"	16"	SAE#8	1"	19
605303006		3" X 6"	14"	20"			21
605303008		3" X 8"	16"	24"			24
605303010		3" X 10"	18"	28"			26
605303012		3" X 12"	20"	32"			28
605303014		3" X 14"	22"	36"			31
605303016		3" X 16"	24"	40"			33
605303018		3" X 18"	26"	44"			36
605303020		3" X 20"	28"	48"			38
605303024		3" X 24"	32"	56"			43
605303028		3" X 28"	36"	64"			48
605303030		3" X 30"	38"	68"			51
605303032		3" X 32"	40"	72"			53
605303036		3" X 36"	44"	80"			58
605303040		3" X 40"	48"	88"			63
605303042		3" X 42"	50"	92"			65
605303048		3" X 48"	56"	104"			73
605303060		3" X 60"	68"	128"			87



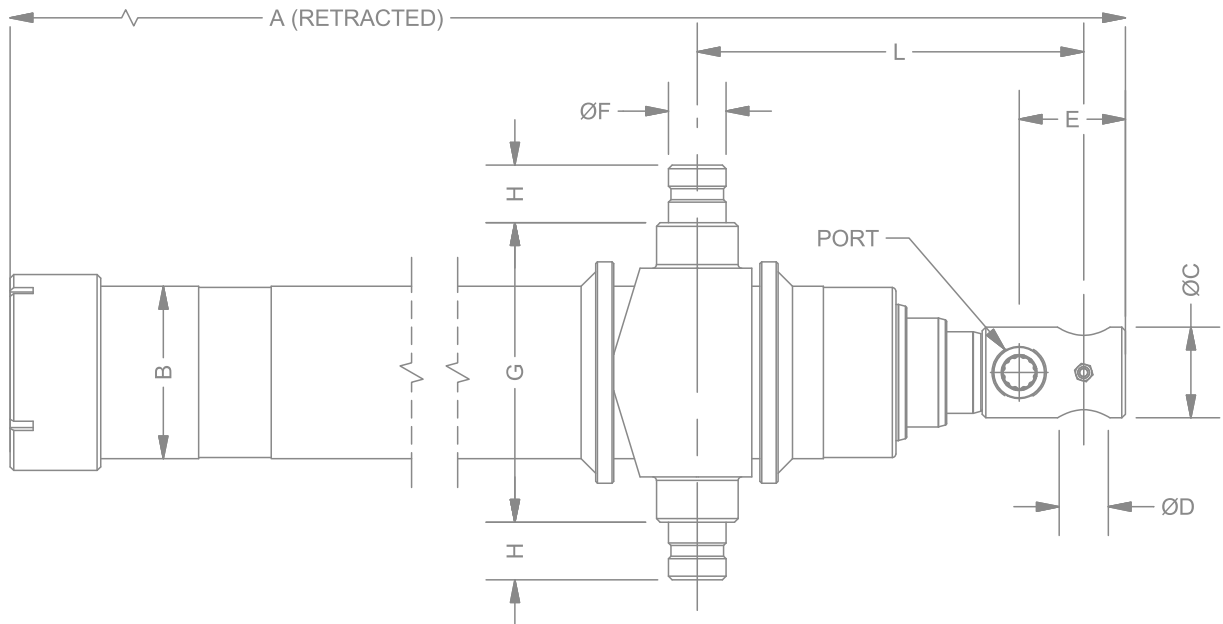
## ADJUSTABLE FEMALE CLEVIS CYLINDER

PART NUMBER	ROD DIAMETER	BORE & STROKE	DIMENSIONS		PORT SIZE	PIN SIZE	WEIGHT ( LBS )
			RETRACTED	EXTENDED			
605303504	1-3/4"	3.5" X 4"	12"	16"	SAE#8	1"	24
605303506		3.5" X 6"	14"	20"			27
605303508		3.5" X 8"	16"	24"			30
605303510		3.5" X 10"	18"	28"			33
605303512		3.5" X 12"	20"	32"			36
605303514		3.5" X 14"	22"	36"			39
605303516		3.5" X 16"	24"	40"			42
605303518		3.5" X 18"	26"	44"			45
605303520		3.5" X 20"	28"	48"			48
605303524		3.5" X 24"	32"	56"			54
605303528		3.5" X 28"	36"	64"			60
605303530		3.5" X 30"	38"	68"			63
605303532		3.5" X 32"	40"	72"			66
605303536		3.5" X 36"	44"	80"			72
605303540		3.5" X 40"	48"	88"			79
605303542		3.5" X 42"	50"	92"			82
605303548		3.5" X 48"	56"	104"			91
605303560		3.5" X 60"	68"	128"			109
605304004	2"	4.0" X 4"	13"	17"	SAE#8	1-1/4"	33
605304006		4.0" X 6"	15"	21"			36
605304008		4.0" X 8"	17"	25"			40
605304010		4.0" X 10"	19"	29"			44
605304012		4.0" X 12"	21"	33"			47
605304014		4.0" X 14"	23"	37"			51
605304016		4.0" X 16"	25"	41"			55
605304018		4.0" X 18"	27"	45"			58
605304020		4.0" X 20"	29"	49"			62
605304024		4.0" X 24"	33"	57"			70
605304028		4.0" X 28"	37"	65"			77
605304030		4.0" X 30"	39"	69"			81
605304032		4.0" X 32"	41"	73"			84
605304036		4.0" X 36"	45"	81"			92
605304040		4.0" X 40"	49"	89"			99
605304042		4.0" X 42"	51"	93"			103
605304048		4.0" X 48"	57"	105"			114
605304060		4.0" X 60"	69"	129"			136

# WELDED HYDRAULIC CYLINDERS WTO/WT1 3000PSI



# WELDED HYDRAULIC CYLINDERS WTO/WT1 3000PSI



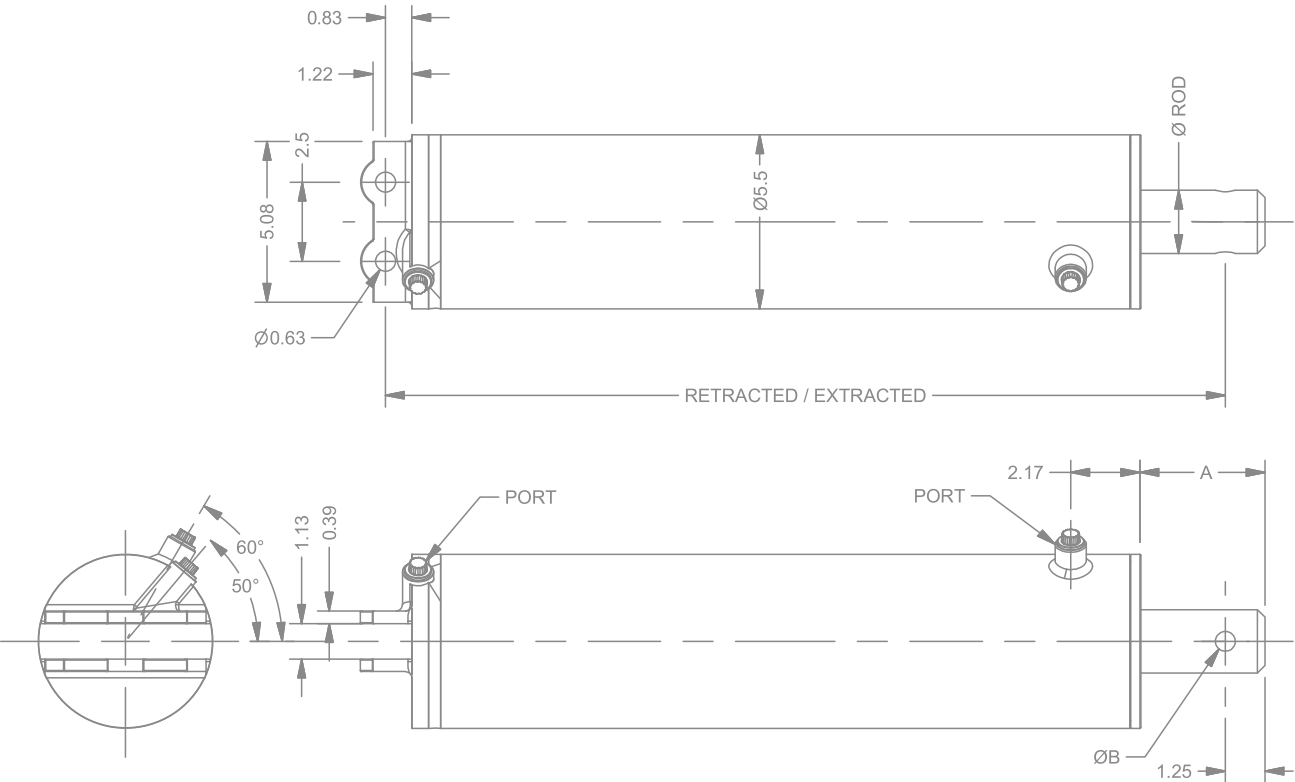
## TELESCOPIC CYLINDER

PART NUMBER	STROKE	A	B	C	D	E	F	G	H	L	PORT	WEIGHT [ Lbs ]	VOLUME [ Gal. ]
7 TONS INVERSE													
606070783	78"	35.5"	3.75"	2"	1.063"	3.0"	1.25"	6.5"	1.25"	7"	"SAE #8 (3/4-16UNF)"	68	1.6
606070903	90"	39.5"	3.75"	2"	1.063"	3.0"	1.25"	6.5"	1.25"	7"		75	1.8
606071083	108"	45"	3.75"	2"	1.063"	3.0"	1.25"	6.5"	1.25"	7"		101	2.2
12 TONS INVERSE													
606120783	78"	34.75"	4.4"	2"	1.063"	3.0"	1.5"	7.5"	1.5"	7"	SAE #8 (3/4-16UNF)	106	2.5
606120903	90"	38.7"	4.4"	2"	1.063"	3.0"	1.5"	7.5"	1.5"	7"		107	2.8
606121083	108"	44.75"	4.4"	2"	1.063"	3.0"	1.5"	7.5"	1.5"	7"		132	3.4
606121203	120"	48.75"	4.4"	2"	1.063"	3.0"	1.5"	7.5"	1.5"	7"		143	3.8
606121443	144"	56.78"	4.4"	2"	1.063"	2.25"	1.5"	7.5"	1.5"	7"		166	4.6

# WELDED HYDRAULIC CYLINDERS WHT 3000PSI



# WELDED HYDRAULIC CYLINDERS WHT 3000PSI

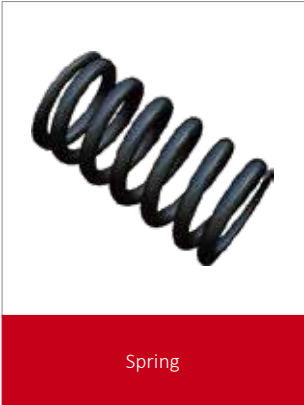
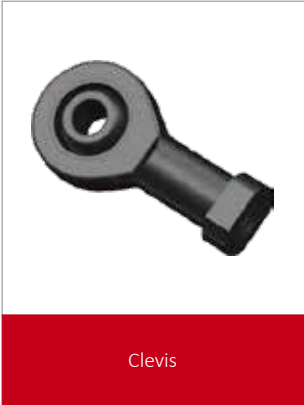


## WELDED THROUGH HOLE CYLINDER

PART NUMBER	BORE	A	B	STROKE	ROD DIAMETER	RETRACTED	EXTRACTED	MAX FORCE LBS	PORT	WEIGHT [ Lbs ]
607501575	5.00	3.5	$\varnothing 0.69$	15.75"	$\varnothing 2$ "	23.5"	39.25"	58905	SAE#6	66.1
607502000	5.00	3.15	$\varnothing 0.63$	20"	$\varnothing 2$ "	27.5"	47.5"	58905	SAE#6	81.4
607502150	5.00	3.5	$\varnothing 0.63$	21.50"	$\varnothing 2$ "	29.375"	50.875"	58905	SAE#6	86.8



# CYLINDER COMPONENTS





Add: Unit 32, 160 Bradwick Dr, Concord ON L4K 1k8

Tel:1-855-852-4563

E-mail:[info@ironclad-hydraulics.com](mailto:info@ironclad-hydraulics.com)

<https://ironcladhydraulics.com/>