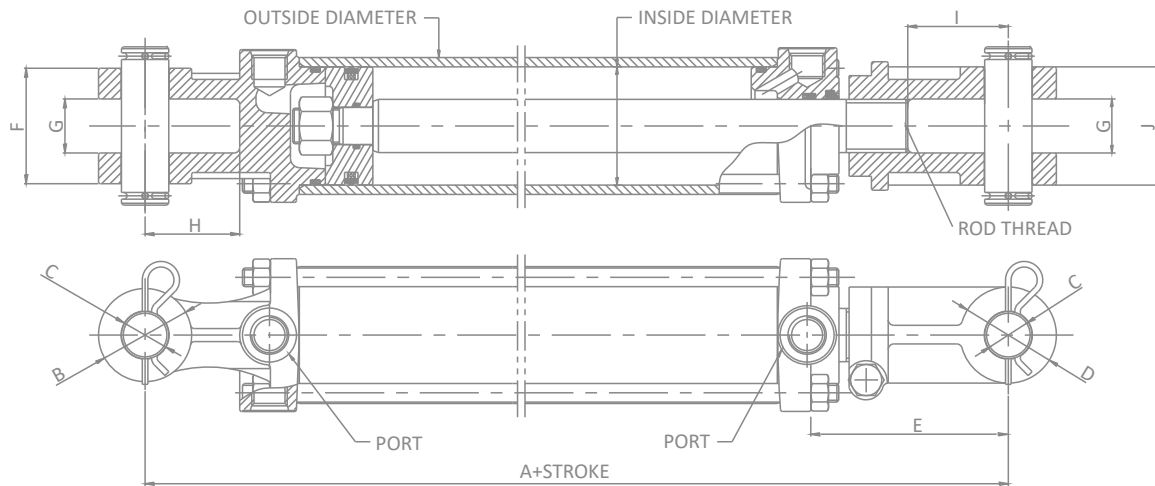


# TIE ROD AGRICULTURE CYLINDERS TR 3000PSI



# TIE ROD AGRICULTURE CYLINDERS TR 3000PSI



PART NUMBER	INSIDER DIAMETER	OUTSIDER DIAMETER	*A	B	*C	D	*E	F	*G	H	I	J	ROD THREAD	PORT
6013020-	2.00"	2.50"	10.25"	2.00"	1.01"	2.00"	3.75"	2.25"	1.12"	2.06"	2.12"	2.62"	1.125-12 UNF	SAE#8
6013025-	2.50"	3.00"	10.25"	2.00"	1.01"	2.00"	3.75"	2.25"	1.12"	2.06"	2.12"	2.62"	1.125-12 UNF	SAE#8
6013030-	3.00"	3.50"	10.25"	2.25"	1.01"	2.25"	3.75"	2.25"	1.12"	2.06"	2.12"	2.62"	1.250-12 UNF	SAE#8
6013035-	3.50"	4.00"	10.25"	2.50"	1.01"	2.50"	3.62"	2.50"	1.12"	2.06"	2.12"	2.75"	1.250-12 UNF	SAE#8
6013040-	4.00"	4.50"	10.25"	2.50"	1.01"	2.50"	3.56"	2.62"	1.12"	2.06"	2.12"	2.75"	1.250-12 UNF	SAE#8
6013050-	5.00"	5.50"	12.25"	2.87"	1.26"	2.75"	4.18"	3.50"	1.12"	2.25"	2.12"	3.31"	1.500-12 UNF	SAE#10

\*FOR 8.00" ASAE STROKE: \*A=12.25" AND FOR 16.00" ASAE STROKE: \*A=15.50"

\*FOR 8.00" STROKE: \*E=5.75" ( 2.00" TO 3.00" BORE ) \*E=5.62" ( 3.50" BORE ) \*E=5.56" ( 4.00" BORE )

\*FOR 16.00" ASAE STROKE: \*E=9.00" ( 2.00" TO 3.00" BORE ) \*E=8.87" ( 3.50" BORE ) \*E=8.81" ( 4.00" BORE )=7.43" ( 5.00" BORE )

\*FOR 5.00" BORE: \*G( FRONT CLEVIS )=1.18" \*G( END CAP )=1.31"

\*FOR 16.00" ASAE STROKE: \*C=126"

SEAL TEMPERATURE RANGE: -30°C/+100°C (-22°F/+212°F )

SEAL MAXIMUM SPEED: 3 FT/SEC

MAXIMUM RETRACTED WORKING PRESSURE=3000 PSI

DIMENSIONS \*A AND \*E ARE FOR REFERENCES ONLY AS CLEVIS IS ADJUSTABLE

**TIE-ROD CYLINDER**

PART NUMBER	ROD DIAMETER	BORE & STROKE	DIMENSIONS		PORT SIZE	PIN SIZE	WEIGHT ( LBS )			
			RETRACTED	EXTENDED						
601302004	1-1/8"	2" X 4"	14-1/4"	18-1/4"	3/8" NPT & SAE#8	1"	16.8			
601302006		2" X 6"	16-1/4"	22-1/4"			18.4			
601302008		2" X 8"	18-1/4"	26-1/4"			20.0			
601302008-S		2" X 8"	20-1/4"	28-1/4"			20.5			
601302010		2" X 10"	20-1/4"	30-1/4"			21.5			
601302012		2" X 12"	22-1/4"	34-1/4"			23.1			
601302014		2" X 16"	24-1/4"	38-1/4"			24.7			
601302016		2" X 16"	26-1/4"	42-1/4"			26.3			
601302016-S		2" X 18"	31-1/4"	47-1/4"			26.9			
601302018		2" X 20"	28-1/4"	46-1/4"			27.9			
601302020		2" X 20"	30-1/4"	50-1/4"			29.5			
601302024		2" X 24"	34-1/4"	58-1/4"			32.6			
601302030		2" X 30"	40-1/4"	70-1/4"			37.4			
601302036		2" X 36"	46-1/4"	82-1/4"			42.2			
601302040		2" X 40"	50-1/4"	90-1/4"			45.3			
601302048		2" X 48"	58-1/4"	106-1/4"			51.7			
601302504		1-1/4"	2.5" X 4"	14-1/4"			18-1/4"	3/8" NPT & SAE#8	1"	18.6
601302506			2.5" X 6"	16-1/4"			22-1/4"			20.9
601302508	2.5" X 8"		18-1/4"	26-1/4"	22.8					
601302508-S	2.5" X 8"		20-1/4"	28-1/4"	23.6					
601302510	2.5" X 10"		20-1/4"	30-1/4"	25.5					
601302512	2.5" X 12"		22-1/4"	34-1/4"	27.8					
601302514	2.5" X 14"		24-1/4"	38-1/4"	30.2					
601302516	2.5" X 16"		26-1/4"	42-1/4"	32.5					
601302516-S	2.5" X 16"		31-1/4"	47-1/4"	33.4					
601302518	2.5" X 18"		28-1/4"	46-1/4"	34.8					
601302520	2.5" X 20"		30-1/4"	50-1/4"	37.1					
601302524	2.5" X 24"		34-1/4"	58-1/4"	41.8					
601302530	2.5" X 30"		40-1/4"	70-1/4"	43.6					
601302536	2.5" X 36"		46-1/4"	82-1/4"	49.6					
601302540	2.5" X 40"		50-1/4"	90-1/4"	53.7					
601302548	2.5" X 48"		58-1/4"	106-1/4"	61.7					

**TIE-ROD CYLINDER**

PART NUMBER	ROD DIAMETER	BORE & STROKE	DIMENSIONS		PORT SIZE	PIN SIZE	WEIGHT ( LBS )	
			RETRACTED	EXTENDED				
601303004	1-1/4"	3" X 4"	14-1/4"	18-1/4"	1/2" NPT & SAE#8	1"	22.1	
601303006		3" X 6"	16-1/4"	22-1/4"			24.0	
601303008		3" X 8"	18-1/4"	26-1/4"			26.1	
601303008-S		3" X 8"	20-1/4"	28-1/4"			8.4	
601303010		3" X 10"	20-1/4"	30-1/4"			28.2	
601303012		3" X 12"	22-1/4"	34-1/4"			30.3	
601303014		3" X 14"	24-1/4"	38-1/4"			32.4	
601303016	1-1/4"	3" X 16"	26-1/4"	42-1/4"		1/2" NPT & SAE#8	1-1/4"	38.7
601303016-S		3" X 16"	31-1/4"	47-1/4"			39.4	
601303018		3" X 18"	28-1/4"	46-1/4"			41.2	
601303020		3" X 20"	30-1/4"	50-1/4"			43.8	
601303024		3" X 24"	34-1/4"	58-1/4"			47.0	
601303030		3" X 30"	40-1/4"	70-1/4"			54.3	
601303036		3" X 36"	46-1/4"	82-1/4"			61.4	
601303040		3" X 40"	50-1/4"	90-1/4"	66.2			
601303048		3" X 48"	58-1/4"	106-1/4"	75.9			
601303504		1-1/4"	3.5 X 4"	14-1/4"	18-1/4"		1/2" NPT & SAE#8	1"
601303506	3.5 X 6"		16-1/4"	22-1/4"	27.8			
601303508	3.5 X 8"		18-1/4"	26-1/4"	30.7			
601303508-S	3.5 X 8"		20-1/4"	28-1/4"	9.9			
601303510	3.5 X 10"		20-1/4"	30-1/4"	33.6			
601303512	3.5 X 12"		22-1/4"	34-1/4"	36.6			
601303514	3.5 X 14"		24-1/4"	38-1/4"	39.5			
601303516	1-1/2"	3.5 X 16"	26-1/4"	42-1/4"	1/2" NPT & SAE#8	1-1/4"		46.6
601303516-S		3.5 X 16"	31-1/4"	47-1/4"		47.6		
601303518		3.5 X 18"	28-1/4"	46-1/4"		50.0		
601303520		3.5 X 20"	30-1/4"	50-1/4"		53.3		
601303524		3.5 X 24"	34-1/4"	58-1/4"		69.2		
601303530		3.5 X 30"	40-1/4"	70-1/4"		67.9		
601303536		3.5 X 36"	46-1/4"	82-1/4"		77.5		
601303540		3.5 X 40"	50-1/4"	90-1/4"		84.0		
601303548		3.5 X 48"	58-1/4"	106-1/4"		96.8		

**TIE-ROD CYLINDER**

PART NUMBER	ROD DIAMETER	BORE & STROKE	DIMENSIONS		PORT SIZE	PIN SIZE	WEIGHT ( LBS )
			RETRACTED	EXTENDED			
601304004	1-1/2"	4" X 4"	14-1/4"	18-1/4"	1/2" NPT & SAE#8	1"	52.0
601304006		4" X 6"	16-1/4"	22-1/4"			55.6
601304008		4" X 8"	18-1/4"	26-1/4"			58.9
601304008-S		4" X 8"	20-1/4"	28-1/4"			18.7
601304010		4" X 10"	20-1/4"	30-1/4"			62.8
601304012		4" X 12"	22-1/4"	34-1/4"			66.4
601304014		4" X 14"	24-1/4"	38-1/4"			70.0
601304016		1-3/4"	4" X 16"	26-1/4"			42-1/4"
601304016-S	4" X 16"		31-1/4"	47-1/4"		85.2	
601304018	4" X 18"		28-1/4"	46-1/4"		84.7	
601304020	4" X 20"		30-1/4"	50-1/4"		85.1	
601304024	4" X 24"		34-1/4"	58-1/4"		93.1	
601304030	2"		4" X 30"	40-1/4"		70-1/4"	111.6
601304036			4" X 36"	46-1/4"		82-1/4"	124.8
601304040			4" X 40"	50-1/4"		90-1/4"	133.6
601304048		4" X 48"	58-1/4"	106-1/4"		151.1	
601305004	2"	5" X 4"	16-1/4"	20-1/4"	1/2" NPT & SAE#10	1-1/4"	59.7
601305006		5" X 6"	18-1/4"	24-1/4"			64.9
601305008		5" X 8"	20-1/4"	28-1/4"			70.2
601305010		5" X 10"	22-1/4"	32-1/4"			75.4
601305012		5" X 12"	24-1/4"	36-1/4"			80.7
601305014		5" X 14"	26-1/4"	40-1/4"			85.9
601305016		5" X 16"	28-1/4"	44-1/4"			91.2
601305016-S		5" X 16"	31-1/4"	47-1/4"			92.9
601305018		5" X 18"	30-1/4"	48-1/4"			96.4
601305020		5" X 20"	32-1/4"	52-1/4"			101.7
601305024		5" X 24"	36-1/4"	60-1/4"			112.1
601305030		5" X 30"	42-1/4"	72-1/4"			127.9
601305036		5" X 36"	48-1/4"	84-1/4"			143.6
601305040		5" X 40"	50-1/4"	90-1/4"			154.1
601305048		5" X 48"	60-1/4"	108-1/4"			175.1