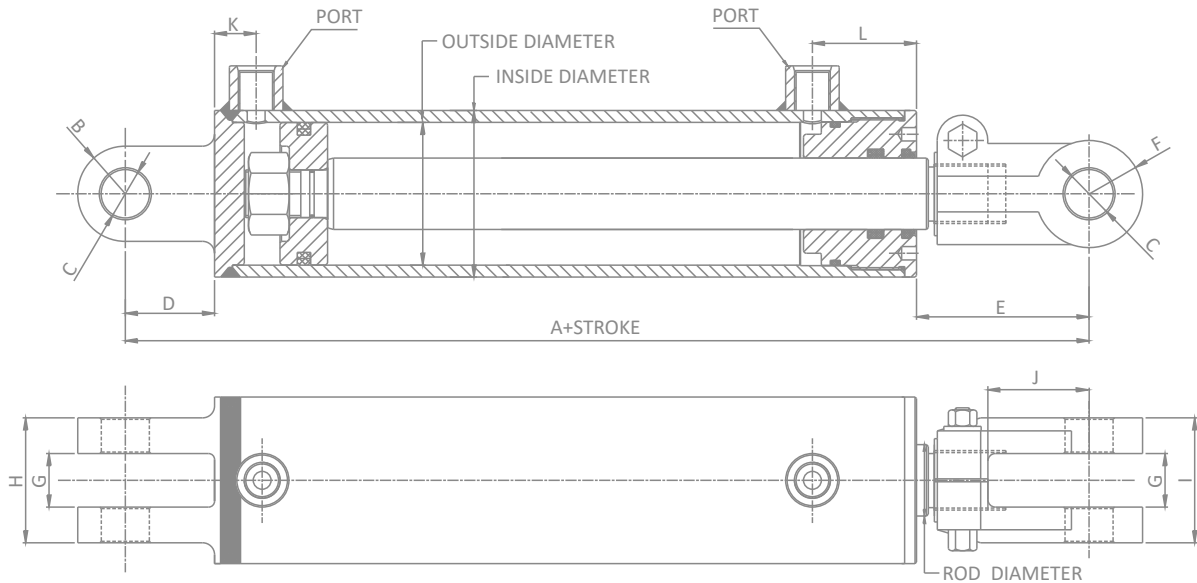


WELDED HYDRAULIC CYLINDERS ACL 3000PSI



WELDED HYDRAULIC CYLINDERS ACL 3000PSI



PART NUMBER	INSIDER DIAMETER	OUTSIDER DIAMETER	*A	B	C	D	*E	F	G	H	I	J	K	L	ROD THREAD	ROD DIAMETER	PORT
6023015-	1.50"	2.00"	10.25"	1.50"	0.76"	1.62"	4.50"	1.87"	0.87"	1.75"	2.00"	1.62"	0.93"	1.87"	0.875-14 UNF	1.00"	SAE#6
6023020-	2.00"	2.50"	10.25"	2.00"	1.01"	2.12"	3.62"	2.25"	1.12"	2.12"	2.62"	2.12"	0.81"	2.06"	1.125-12 UNF	1.12"	SAE#8
6023025-	2.50"	3.00"	10.25"	2.00"	1.01"	2.12"	3.62"	2.25"	1.12"	2.12"	2.62"	2.12"	0.81"	2.06"	1.125-12 UNF	1.25"	SAE#8
6023030-	3.00"	3.50"	10.25"	2.00"	1.01"	1.87"	3.62"	2.25"	1.12"	2.62"	2.62"	2.12"	0.87"	2.18"	1.250-12 UNF	1.50"	SAE#8
6023035-	3.50"	4.00"	10.25"	2.00"	1.01"	1.87"	3.62"	2.50"	1.12"	2.62"	2.75"	2.12"	0.93"	2.18"	1.500-12 UNF	1.75"	SAE#8
6023040-	4.00"	4.50"	12.25"	2.25"	1.01"	1.75"	3.62"	2.50"	1.12"	2.62"	2.75"	2.12"	1.00"	2.18"	1.500-12 UNF	2.00"	SAE#8

*FOR 8.00" STROKE: *A=12.25"

*FOR 8.00" STROKE: *E=6.50" (1.50" BORE)E=5.62" (2.00" TO 4.00" BORE)

SEAL TEMPERATURE RANGE: -30°C/+100°C (-22°F/+212°F)

SEAL MAXIMUM SPEED: 3 FT/SEC

MAXIMUM RETRACTED WORKING PRESSURE=3000 PSI

DIMENSIONS *A AND *E ARE FOR REFERENCES ONLY AS CLEVIS IS ADJUSTABLE

ADJUSTABLE FEMALE CLEVIS CYLINDER

PART NUMBER	ROD DIAMETER	BORE & STROKE	DIMENSIONS		PORT SIZE	PIN SIZE	WEIGHT (LBS)			
			RETRACTED	EXTENDED						
602301504	1"	1.5" X 4"	14-1/4"	18-1/4"	SAE#6	3/4"	10			
602301506		1.5" X 6"	16-1/4"	22-1/4"			11			
602301508		1.5" X 8"	18-1/4"	26-1/4"			12			
602301508-S		1.5" X 8"	20-1/4"	28-1/4"			13			
602301510		1.5" X 10"	20-1/4"	30-1/4"			13			
602301512		1.5" X 12"	22-1/4"	34-1/4"			15			
602301514		1.5" X 14"	24-1/4"	38-1/4"			16			
602301516		1.5" X 16"	26-1/4"	42-1/4"			17			
602301518		1.5" X 18"	28-1/4"	46-1/4"			18			
602301520		1.5" X 20"	30-1/4"	50-1/4"			20			
602301524		1.5" X 24"	34-1/4"	58-1/4"			22			
602301528		1.5" X 28"	38-1/4"	66-1/4"			25			
602301530		1.5" X 30"	40-1/4"	70-1/4"			26			
602301532		1.5" X 32"	42-1/4"	74-1/4"			27			
602301534		1.5" X 34"	44-1/4"	78-1/4"			28			
602301536		1.5" X 36"	46-1/4"	82-1/4"			29			
602302004		1"	2" X 4"	14-1/4"			18-1/4"	SAE#8	1"	16
602302006			2" X 6"	16-1/4"			22-1/4"			17
602302008	2" X 8"		18-1/4"	26-1/4"	19					
602302008-S	2" X 8"		20-1/4"	28-1/4"	20					
602302010	2" X 10"		20-1/4"	30-1/4"	20					
602302012	2" X 12"		22-1/4"	34-1/4"	22					
602302014	2" X 14"		24-1/4"	38-1/4"	24					
602302016	2" X 16"		26-1/4"	42-1/4"	25					
602302018	2" X 18"		28-1/4"	46-1/4"	27					
602302020	2" X 20"		30-1/4"	50-1/4"	28					
602302024	2" X 24"		34-1/4"	58-1/4"	31					
602302028	2" X 28"		38-1/4"	66-1/4"	35					
602302030	2" X 30"		40-1/4"	70-1/4"	36					
602302032	2" X 32"		42-1/4"	74-1/4"	38					
602302034	2" X 34"		44-1/4"	78-1/4"	39					
602302036	2" X 36"		46-1/4"	82-1/4"	41					

ADJUSTABLE FEMALE CLEVIS CYLINDER

PART NUMBER	ROD DIAMETER	BORE & STROKE	DIMENSIONS		PORT SIZE	PIN SIZE	WEIGHT (LBS)			
			RETRACTED	EXTENDED						
602302504	1"	2.5" X 4"	14-1/4"	18-1/4"	SAE#8	1"	19			
602302506		2.5" X 6"	16-1/4"	22-1/4"			21			
602302508		2.5" X 8"	18-1/4"	26-1/4"			23			
602302508-S		2.5" X 8"	20-1/4"	28-1/4"			23			
602302510		2.5" X 10"	20-1/4"	30-1/4"			24			
602302512		2.5" X 12"	22-1/4"	34-1/4"			26			
602302514		2.5" X 14"	24-1/4"	38-1/4"			28			
602302516		2.5" X 16"	26-1/4"	42-1/4"			30			
602302518		2.5" X 18"	28-1/4"	46-1/4"			32			
602302520		2.5" X 20"	30-1/4"	50-1/4"			34			
602302524		2.5" X 24"	34-1/4"	58-1/4"			38			
602302528		2.5" X 28"	38-1/4"	66-1/4"			42			
602302530		2.5" X 30"	40-1/4"	70-1/4"			44			
602302532		2.5" X 32"	42-1/4"	74-1/4"			46			
602302534		2.5" X 34"	44-1/4"	78-1/4"			48			
602302536		2.5" X 36"	46-1/4"	82-1/4"			49			
602303004		1"	3" X 4"	14-1/4"			18-1/4"	SAE#8	1"	24
602303006			3" X 6"	16-1/4"			22-1/4"			26
602303008	3" X 8"		18-1/4"	26-1/4"	29					
602303008-S	3" X 8"		20-1/4"	28-1/4"	29					
602303010	3" X 10"		20-1/4"	30-1/4"	31					
602303012	3" X 12"		22-1/4"	34-1/4"	34					
602303014	3" X 14"		24-1/4"	38-1/4"	36					
602303016	3" X 16"		26-1/4"	42-1/4"	39					
602303018	3" X 18"		28-1/4"	46-1/4"	41					
602303020	3" X 20"		30-1/4"	50-1/4"	43					
602303024	3" X 24"		34-1/4"	58-1/4"	48					
602303028	3" X 28"		38-1/4"	66-1/4"	53					
602303030	3" X 30"		40-1/4"	70-1/4"	56					
602303032	3" X 32"		42-1/4"	74-1/4"	58					
602303034	3" X 34"		44-1/4"	78-1/4"	61					
602303036	3" X 36"		46-1/4"	82-1/4"	63					

ADJUSTABLE FEMALE CLEVIS CYLINDER

PART NUMBER	ROD DIAMETER	BORE & STROKE	DIMENSIONS		PORT SIZE	PIN SIZE	WEIGHT (LBS)
			RETRACTED	EXTENDED			
602303504	1"	3.5" X 4"	14-1/4"	18-1/4"	SAE#8	1"	29
602303506		3.5" X 6"	16-1/4"	22-1/4"			32
602303508		3.5" X 8"	18-1/4"	26-1/4"			35
602303508-S		3.5" X 8"	20-1/4"	28-1/4"			36
602303510		3.5" X 10"	20-1/4"	30-1/4"			38
602303512		3.5" X 12"	22-1/4"	34-1/4"			41
602303514		3.5" X 14"	24-1/4"	38-1/4"			44
602303516		3.5" X 16"	26-1/4"	42-1/4"			47
602303518		3.5" X 18"	28-1/4"	46-1/4"			50
602303520		3.5" X 20"	30-1/4"	50-1/4"			53
602303524		3.5" X 24"	34-1/4"	58-1/4"			59
602303528		3.5" X 28"	38-1/4"	66-1/4"			65
602303530		3.5" X 30"	40-1/4"	70-1/4"			68
602303532		3.5" X 32"	42-1/4"	74-1/4"			71
602303534		3.5" X 34"	44-1/4"	78-1/4"			75
602303536		3.5" X 36"	46-1/4"	82-1/4"			78
602304004		1"	4" X 4"	14-1/4"			18-1/4"
602304006	4" X 6"		16-1/4"	22-1/4"	38		
602304008	4" X 8"		18-1/4"	26-1/4"	42		
602304008-S	4" X 8"		20-1/4"	28-1/4"	43		
602304010	4" X 10"		20-1/4"	30-1/4"	46		
602304012	4" X 12"		22-1/4"	34-1/4"	49		
602304014	4" X 14"		24-1/4"	38-1/4"	53		
602304016	4" X 16"		26-1/4"	42-1/4"	57		
602304018	4" X 18"		28-1/4"	46-1/4"	60		
602304020	4" X 20"		30-1/4"	50-1/4"	64		
602304024	4" X 24"		34-1/4"	58-1/4"	71		
602304028	4" X 28"		38-1/4"	66-1/4"	79		
602304030	4" X 30"		40-1/4"	70-1/4"	83		
602304032	4" X 32"		42-1/4"	74-1/4"	86		
602304034	4" X 34"		44-1/4"	78-1/4"	90		
602304036	4" X 36"		46-1/4"	82-1/4"	94		